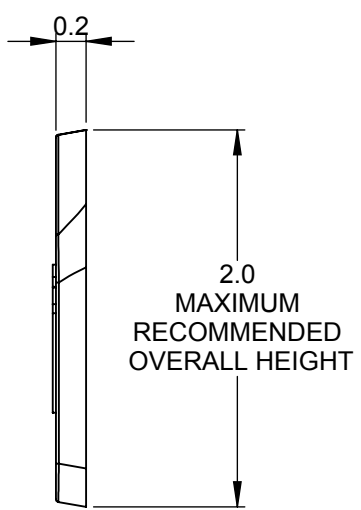
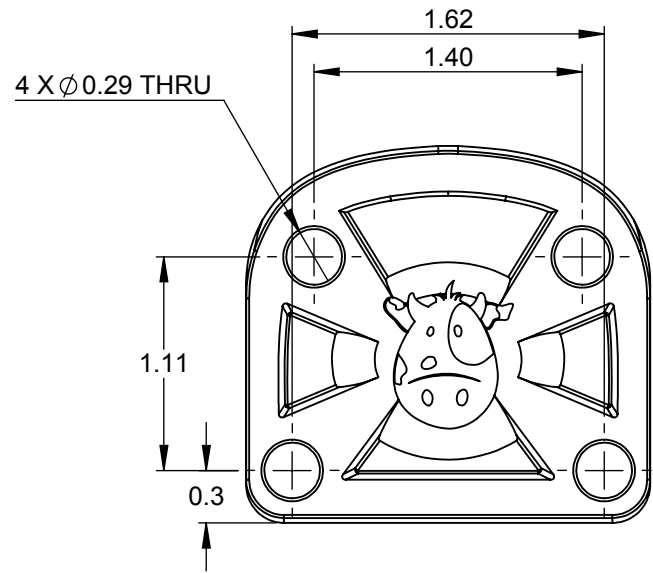
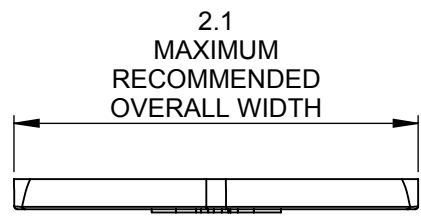
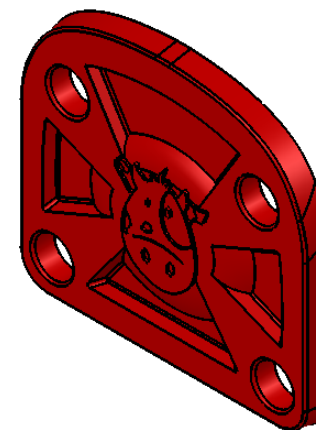

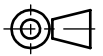


UNITS IN MILLIMETERS

| | | |
|--|---|---|
| Material: Melamine resin | | Description: Unicyce Handle Reinforcement |
| Finish: No Finish Required | | |
| Unless Otherwise Stated: Linear Tol.: ±0.2, Angular Tol.: 0°15' Surface Finish: 0.8µm All Dimensions: mm | | Design created by:  |
| Drawing Scale: 1:1 | | Just Moo it |
| Approx Weight: 11.78 g | Drawing Produced In Accordance With: BS8888 | Moochow Unicycles, David@moochowunicycles. |
| Projection Method: THIRD ANGLE  | Sheet Size: A4 | |
| Material: Melamine resin Finish: No Finish Required Unless Otherwise Stated: Linear Tol.: ±0.2, Angular Tol.: 0°15' Surface Finish: 0.8µm All Dimensions: mm Drawing Scale: 1:1 Approx Weight: 11.78 g Drawing Produced In Accordance With: BS8888 Projection Method: THIRD ANGLE  | | Description: Unicyce Handle Reinforcement Drawn by: David Drawn Date: 2015-06-20 Checked/Approved by: David Checked/Approved Date: 2015-06-21 Part Name: Moochow-Handle Reinforcement Drawing Number: 4 Sheet: 1 of 2 Revision: B |



UNITS IN INCHES

| | | | | | |
|--|---|---|---|---|-------------------------|
| Material: Melamine resin | | This drawing and any information or descriptive material set out on it are completely open source, from MooCow Unicycles. Please continue supporting free and open technical information! | Description: Unicyce Handle Reinforcement | | |
| Finish: No Finish Required | | | Drawn by: David | Drawn Date: 2015-06-20 | |
| Unless Otherwise Stated: Linear Tol.: ± 0.2 , Angular Tol.: $0^{\circ}15'$ Surface Finish: $0.8\mu\text{m}$ All Dimensions: mm | | | Checked/Approved by: David | Checked/Approved Date: 2015-06-21 | |
| Drawing Scale: 1:1 | | Design created by: |  | | |
| Approx Weight: 11.78 g | Drawing Produced In Accordance With: BS8888 | Just Moo it | | | |
| Projection Method: THIRD ANGLE | Sheet Size: A4 | MooCow Unicycles, David@mooCowunicycles. | Part Name: MooCow-Handle Reinforcement | Drawing Number: 4 | Sheet: 2 of 2 |
|  | | | Revision: B | | |