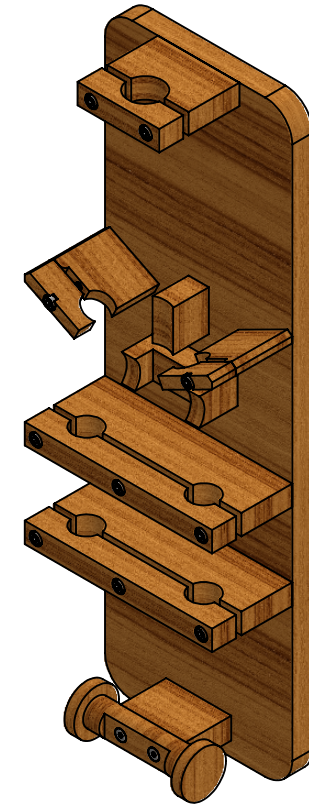
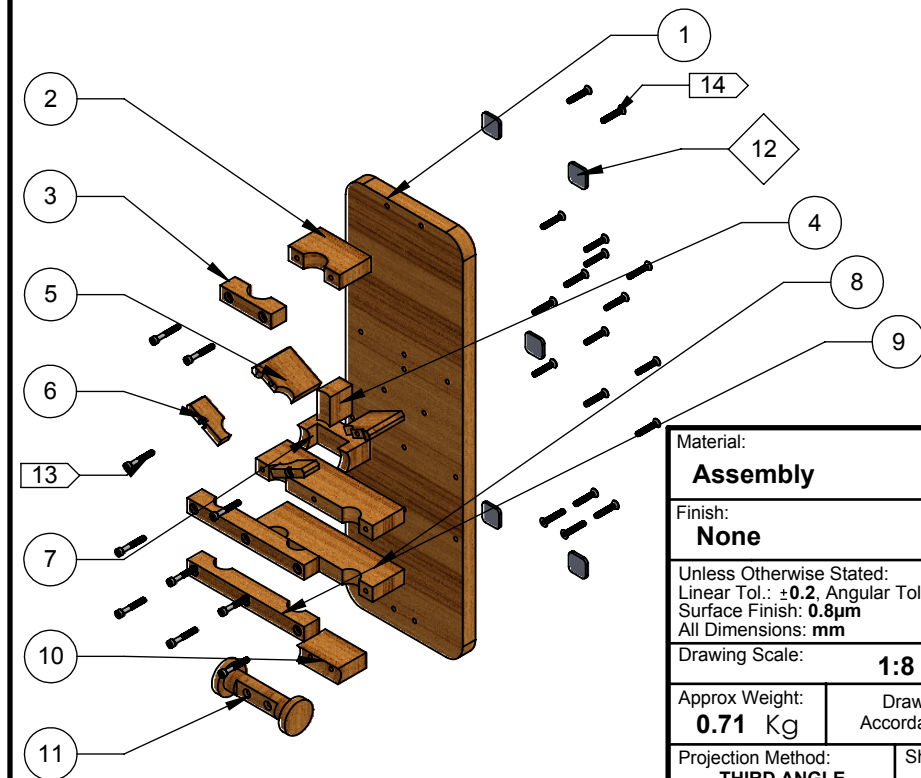


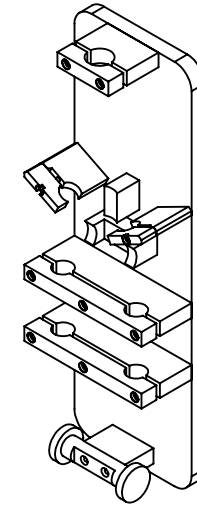
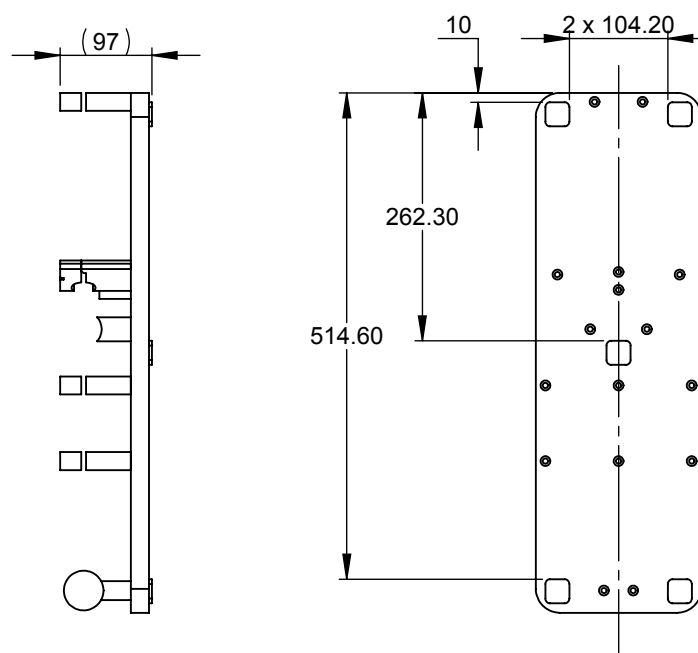
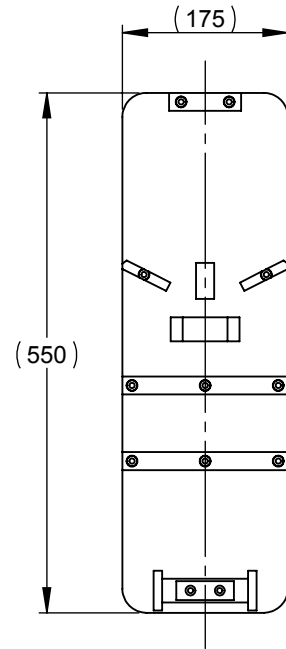
1	2		3		4	5 REVISIONS			6	
ITEM NO.	DESCRIPTION	MATERIAL	QUANTITY	COST (CAD)	SOURCE	REV.	DESCRIPTION	DATE	APPROVED	
1	Base	Plywood	1	15.09	Menards.com	A1	RELEASED TO BAMBOONI	2015-11-09	2015-11-10	
2	Neck Top Holder - Bottom	Plywood	1							
3	Neck Top Holder - Top	Plywood	1							
4	Neck Bottom Support	Plywood	1							
5	Neck Support Holder - Bottom	Plywood	2							
6	Neck Support Holder - Top	Plywood	2							
7	Crossbar Support	Plywood	1							
8	Leg Holder - Bottom	Plywood	2							
9	Leg Holder - Top	Plywood	2							
10	Bearing Housing Holder - Bottom	Plywood	1							
11	Bearing Housing Holder - Top	Plywood	1							
12	Footpad	Rubber	5	4.12	McMaster-Carr					
13	SHCS - M5x0.8mm x 35mm Long	Fastener	10	7.11						
14	FHCS - M5 x 0.8mm x 30mm Long	Fastener	18	7.99						



<b>Material:</b> <b>Assembly</b>		This drawing and any information or descriptive material set out in this work from Moocow Unicycles are licensed under a Creative Commons Attribution-ShareAlike 4.0 International License. The specific license is CC-BY-SA, which requires attribution and sharing alike. Please continue supporting free and open technical information!		<b>Description:</b> <b>Bambooni - Assembly Fixture</b>	
<b>Finish:</b> <b>None</b>		Document Type:		Drawn by: <b>David</b>	
Unless Otherwise Stated: Linear Tol.: $\pm 0.2$ , Angular Tol.: $0^{\circ}15'$ Surface Finish: $0.8\mu\text{m}$ All Dimensions: <b>mm</b>		Design created by: Just Moo it		Drawn Date: <b>2015-11-09</b>	
Drawing Scale: <b>1:8</b>				Checked/Approved by: <b>David</b>	
Approx Weight: <b>0.71 Kg</b>		Drawing Produced In Accordance With: <b>BS8888</b>		Checked/Approved Date: <b>2015-11-11</b>	
Projection Method: <b>THIRD ANGLE</b> 		Sheet Size: <b>A4</b>		Part Number: <b>MC-8</b>	
		Moocow Unicycles, David@moocowunicycles.com		Drawing Number: <b>Assembly Fixture</b>	
				Sheet: <b>1 of 14</b>	
				Revision: <b>A1</b>	

A  
B  
C  
D

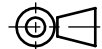
Assembly Dimensions



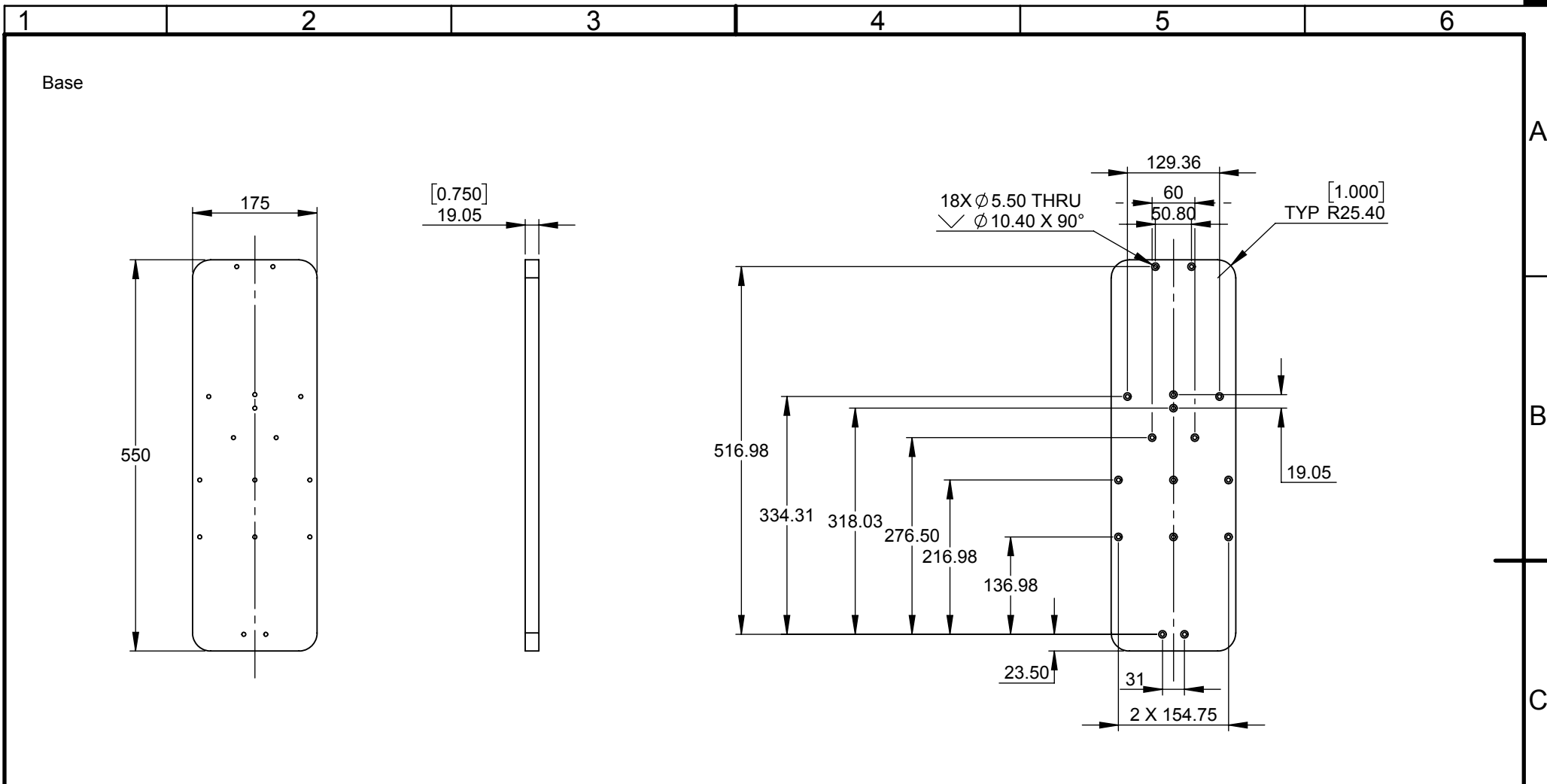
A  
B  
C

Material: <b>Assembly</b>		This drawing and any information or descriptive material set out in this work from Moocow Unicycles are licensed under a Creative Commons Attribution-ShareAlike 4.0 International License. The specific license is CC-BY-SA, which requires attribution and sharing alike. Please continue supporting free and open technical information!	Description: <b>Bambooni - Assembly Fixture</b>		
Finish: <b>None</b>			Document Type:	Drawn by: <b>David</b>	Drawn Date: <b>2015-11-09</b>
Unless Otherwise Stated: Linear Tol.: $\pm 0.2$ , Angular Tol.: $0^{\circ}15'$ Surface Finish: $0.8\mu\text{m}$ All Dimensions: <b>mm</b>		Design created by: <b>Just Moo it</b>	Checked/Approved by: <b>David</b>	Checked/Approved Date: <b>2015-11-11</b>	
Drawing Scale: <b>1:8</b>			Part Number: <b>MC-8</b>		
Approx Weight: <b>0.71 Kg</b>	Drawing Produced In Accordance With: <b>BS8888</b>		Drawing Number: <b>Assembly Fixture</b>		
Projection Method: <b>THIRD ANGLE</b>	Sheet Size: <b>A4</b>		Drawing Number: <b>Assembly Fixture</b>	Sheet: <b>2 of 14</b>	Revision: <b>A1</b>

D



Moocow Unicycles,  
David@moocowunicycles.com

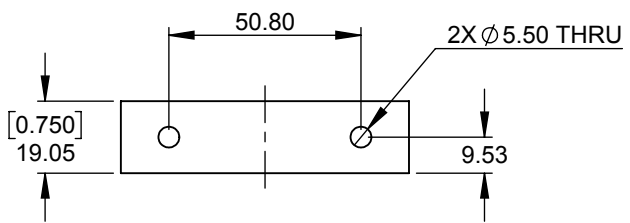
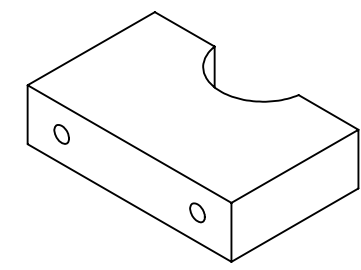
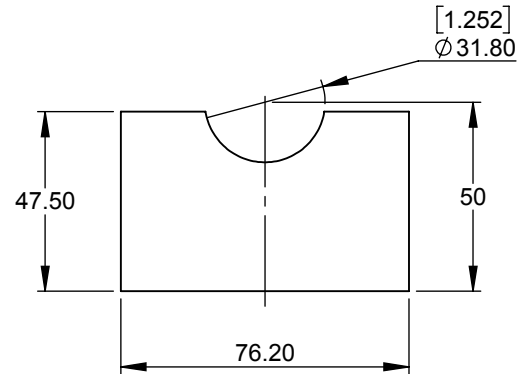


Material: <b>Plywood</b>		This drawing and any information or descriptive material set out in this work from Moocow Unicycles are licensed under a Creative Commons Attribution-ShareAlike 4.0 International License. The specific license is CC-BY-SA, which requires attribution and sharing alike. Please continue supporting free and open technical information!	Description: <b>Bambooni - Assembly Fixture</b>		
Finish: <b>None</b>			Document Type:	Drawn by: <b>David</b>	Drawn Date: <b>2015-11-09</b>
Unless Otherwise Stated: Linear Tol.: $\pm 0.2$ , Angular Tol.: $0^{\circ}15'$ Surface Finish: <b>0.8<math>\mu</math>m</b> All Dimensions: <b>mm</b>			Design created by: <b>Just Moo it</b>	Checked/Approved by: <b>David</b>	Checked/Approved Date: <b>2015-11-11</b>
Drawing Scale: <b>1:8</b>				Part Number: <b>MC-8</b>	
Approx Weight: <b>0.71 Kg</b>	Drawing Produced In Accordance With: <b>BS8888</b>		Drawing Number: <b>Assembly Fixture</b>		
Projection Method: <b>THIRD ANGLE</b>	Sheet Size: <b>A4</b>		Drawing Number: <b>Assembly Fixture</b>	Sheet: <b>3 of 14</b>	Revision: <b>A1</b>





Moocow Unicycles,  
David@moocowunicycles.com

Neck Top Holder - Bottom

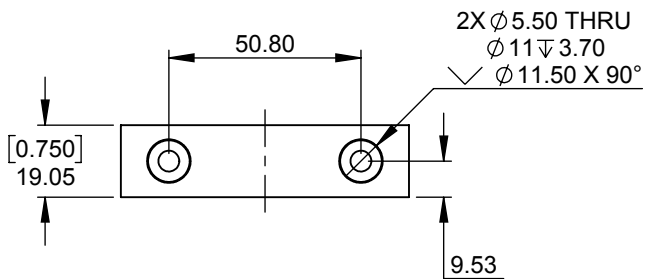
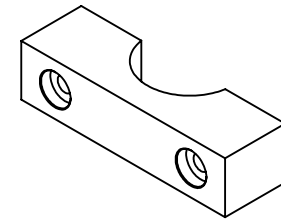
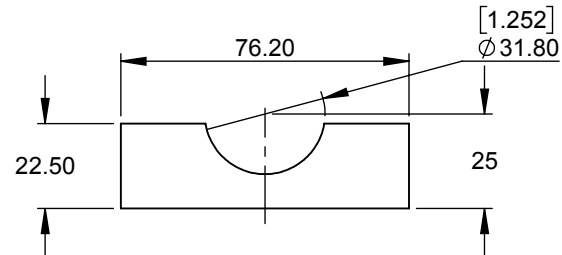


A  
B  
C


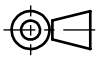
Material: <b>Plywood</b>		This drawing and any information or descriptive material set out in this work from Moocow Unicycles are licensed under a Creative Commons Attribution-ShareAlike 4.0 International License. The specific license is CC-BY-SA, which requires attribution and sharing alike. Please continue supporting free and open technical information!	Description: <b>Bambooni - Assembly Fixture</b>		
Finish: <b>None</b>			Document Type:	Drawn by: <b>David</b>	Drawn Date: <b>2015-11-09</b>
Unless Otherwise Stated: Linear Tol.: $\pm 0.2$ , Angular Tol.: $0^{\circ}15'$ Surface Finish: <b>0.8<math>\mu</math>m</b> All Dimensions: <b>mm</b>			Design created by: <b>Just Moo it</b>	Checked/Approved by: <b>David</b>	Checked/Approved Date: <b>2015-11-11</b>
Drawing Scale: <b>1:2</b>		Part Number: <b>MC-8</b>			
Approx Weight: <b>0.71 Kg</b>	Drawing Produced In Accordance With: <b>BS8888</b>		Drawing Number: <b>Assembly Fixture</b>		
Projection Method: <b>THIRD ANGLE</b>	Sheet Size: <b>A4</b>		Sheet: <b>4 of 14</b>	Revision: <b>A1</b>	
				Moocow Unicycles, David@moocowunicycles.com	

D

Neck Top Holder - Top

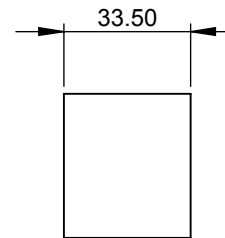
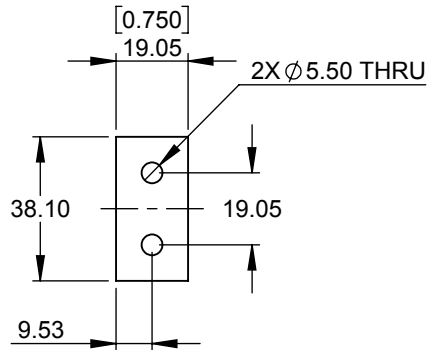
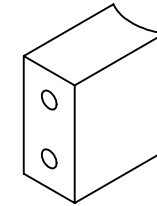
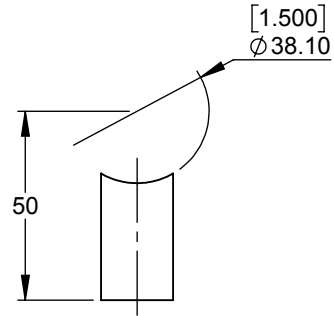


A  
B  
C

Material: <b>Plywood</b>		This drawing and any information or descriptive material set out in this work from Moocow Unicycles are licensed under a Creative Commons Attribution-ShareAlike 4.0 International License. The specific license is CC-BY-SA, which requires attribution and sharing alike. Please continue supporting free and open technical information!	Description: <b>Bambooni - Assembly Fixture</b>		
Finish: <b>None</b>			Document Type:	Drawn by: <b>David</b>	Drawn Date: <b>2015-11-09</b>
Unless Otherwise Stated: Linear Tol.: <b>±0.2</b> , Angular Tol.: <b>0°15'</b> Surface Finish: <b>0.8µm</b> All Dimensions: <b>mm</b>			Design created by: <b>Just Moo it</b>	Checked/Approved by: <b>David</b>	Checked/Approved Date: <b>2015-11-11</b>
Drawing Scale: <b>1:2</b>			Part Number: <b>MC-8</b>		
Approx Weight: <b>0.71 Kg</b>	Drawing Produced In Accordance With: <b>BS8888</b>		Drawing Number: <b>Assembly Fixture</b>	Sheet: <b>5 of 14</b>	Revision: <b>A1</b>
Projection Method: <b>THIRD ANGLE</b> 	Sheet Size: <b>A4</b>	Moocow Unicycles, David@moocowunicycles.com			

D

Neck Bottom Support



A  
B  
C

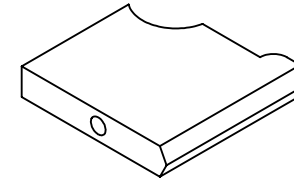
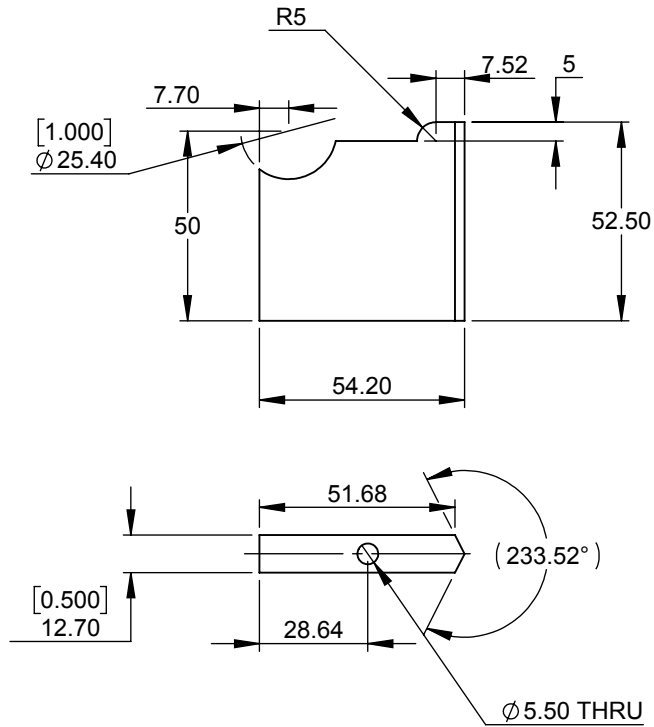
Material: <b>Plywood</b>		This drawing and any information or descriptive material set out in this work from Moocow Unicycles are licensed under a Creative Commons Attribution-ShareAlike 4.0 International License. The specific license is CC-BY-SA, which requires attribution and sharing alike. Please continue supporting free and open technical information!	Description: <b>Bambooni - Assembly Fixture</b>		
Finish: <b>None</b>			Drawn by: <b>David</b>	Drawn Date: <b>2015-11-09</b>	
Unless Otherwise Stated: Linear Tol.: $\pm 0.2$ , Angular Tol.: $0^{\circ}15'$ Surface Finish: <b>0.8<math>\mu</math>m</b> All Dimensions: <b>mm</b>		Document Type:	Checked/Approved by: <b>David</b>	Checked/Approved Date: <b>2015-11-11</b>	
Drawing Scale: <b>1:2</b>		Design created by: <b>Just Moo it</b>	Part Number: <b>MC-8</b>		
Approx Weight: <b>0.71 Kg</b>	Drawing Produced In Accordance With: <b>BS8888</b>		Drawing Number: <b>Assembly Fixture</b>		
Projection Method: <b>THIRD ANGLE</b>	Sheet Size: <b>A4</b>		Sheet: <b>6 of 14</b>	Revision: <b>A1</b>	

D





Moocow Unicycles,  
David@moocowunicycles.com

Neck Support Holder - Bottom

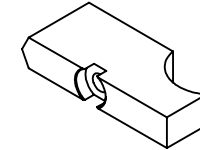
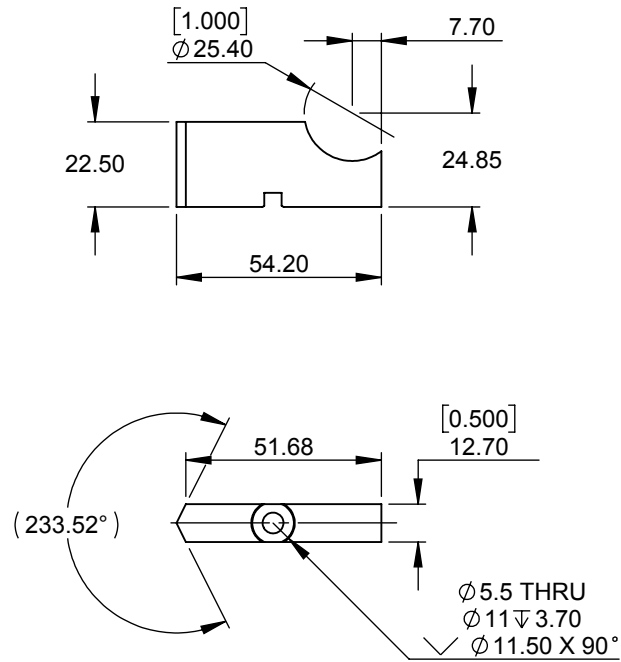


A  
B  
C


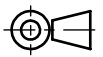
Material: <b>Plywood</b>		This drawing and any information or descriptive material set out in this work from Moocow Unicycles are licensed under a Creative Commons Attribution-ShareAlike 4.0 International License. The specific license is CC-BY-SA, which requires attribution and sharing alike. Please continue supporting free and open technical information!	Description: <b>Bambooni - Assembly Fixture</b>		
Finish: <b>None</b>			Document Type:	Drawn by: <b>David</b>	Drawn Date: <b>2015-11-09</b>
Unless Otherwise Stated: Linear Tol.: $\pm 0.2$ , Angular Tol.: $0^{\circ}15'$ Surface Finish: <b>0.8<math>\mu</math>m</b> All Dimensions: <b>mm</b>		Design created by: <b>Just Moo it</b>	Checked/Approved by: <b>David</b>	Checked/Approved Date: <b>2015-11-11</b>	
Drawing Scale: <b>1:2</b>			Part Number: <b>MC-8</b>		
Approx Weight: <b>0.71 Kg</b>	Drawing Produced In Accordance With: <b>BS8888</b>		Drawing Number: <b>Assembly Fixture</b>		
Projection Method: <b>THIRD ANGLE</b>	Sheet Size: <b>A4</b>		Sheet: <b>7 of 14</b>	Revision: <b>A1</b>	
				Moocow Unicycles, David@moocowunicycles.com	

D

Neck Support Holder - Top



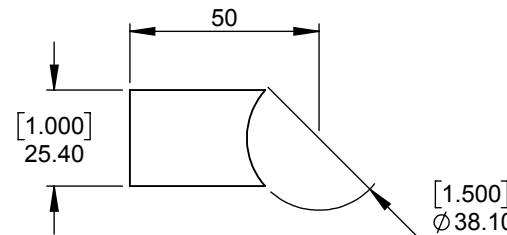
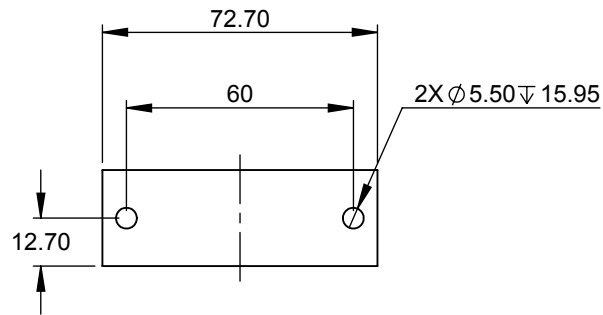
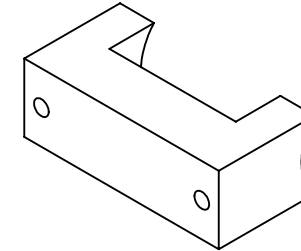
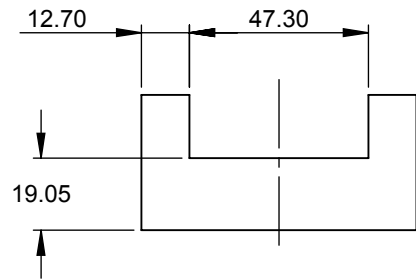
A  
B  
C



Material: <b>Plywood</b>		This drawing and any information or descriptive material set out in this work from Moocow Unicycles are licensed under a Creative Commons Attribution-ShareAlike 4.0 International License. The specific license is CC-BY-SA, which requires attribution and sharing alike. Please continue supporting free and open technical information!	Description: <b>Bambooni - Assembly Fixture</b>		
Finish: <b>None</b>			Document Type:	Drawn by: <b>David</b>	Drawn Date: <b>2015-11-09</b>
Unless Otherwise Stated: Linear Tol.: $\pm 0.2$ , Angular Tol.: $0^{\circ}15'$ Surface Finish: $0.8\mu\text{m}$ All Dimensions: <b>mm</b>			Design created by: <b>Just Moo it</b>	Checked/Approved by: <b>David</b>	Checked/Approved Date: <b>2015-11-11</b>
Drawing Scale: <b>1:2</b>			Part Number: <b>MC-8</b>		
Approx Weight: <b>0.71 Kg</b>	Drawing Produced In Accordance With: <b>BS8888</b>		Drawing Number: <b>Assembly Fixture</b>	Sheet: <b>8 of 14</b>	Revision: <b>A1</b>
Projection Method: <b>THIRD ANGLE</b> 	Sheet Size: <b>A4</b>				

D

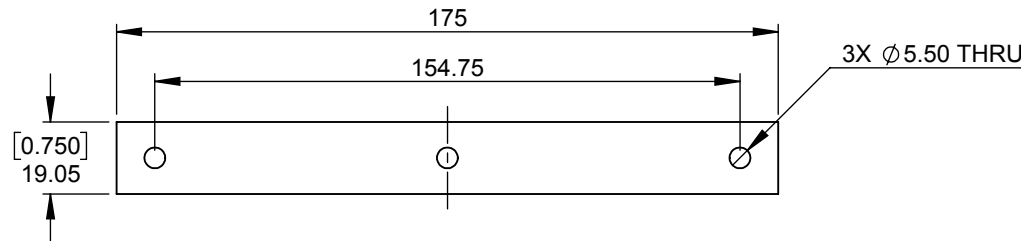
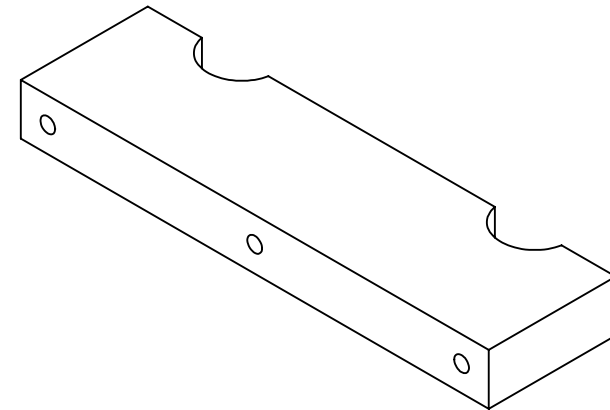
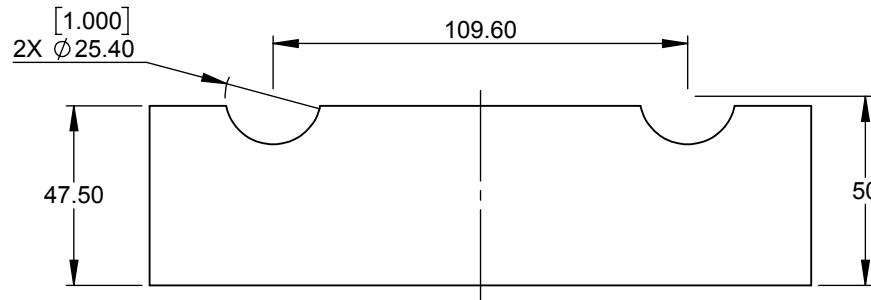


Crossbar Support





Material: <b>Plywood</b>		This drawing and any information or descriptive material set out in this work from Moocow Unicycles are licensed under a Creative Commons Attribution-ShareAlike 4.0 International License. The specific license is CC-BY-SA, which requires attribution and sharing alike. Please continue supporting free and open technical information!	Description: <b>Bambooni - Assembly Fixture</b>		
Finish: <b>None</b>			Document Type:	Drawn by: <b>David</b>	Drawn Date: <b>2015-11-09</b>
Unless Otherwise Stated: Linear Tol.: ±0.2, Angular Tol.: 0°15' Surface Finish: 0.8µm All Dimensions: mm			Design created by: <b>Just Moo it</b>	Checked/Approved by: <b>David</b>	Checked/Approved Date: <b>2015-11-11</b>
Drawing Scale: <b>1:2</b>		Part Number: <b>MC-8</b>			
Approx Weight: <b>0.71 Kg</b>	Drawing Produced In Accordance With: <b>BS8888</b>		Drawing Number: <b>Assembly Fixture</b>		
Projection Method: <b>THIRD ANGLE</b>	Sheet Size: <b>A4</b>		Drawing Number: <b>Assembly Fixture</b>	Sheet: <b>9 of 14</b>	Revision: <b>A1</b>
				Moocow Unicycles, David@moocowunicycles.com	

Leg Holder - Bottom

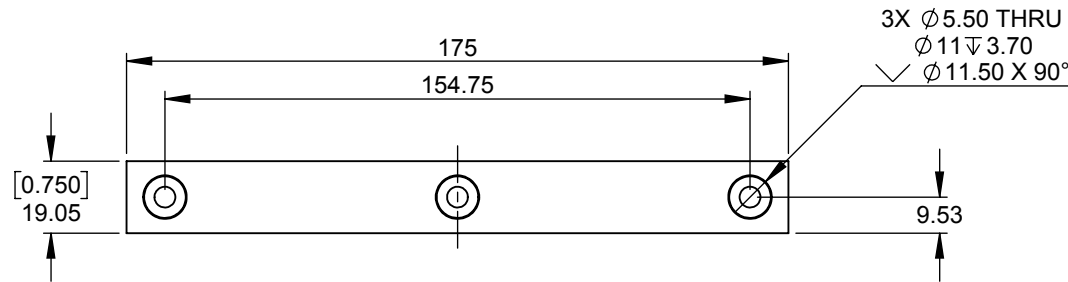
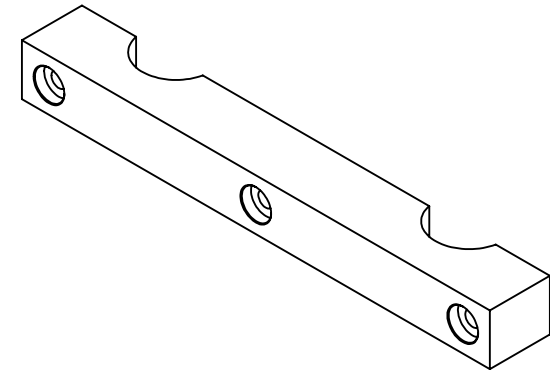
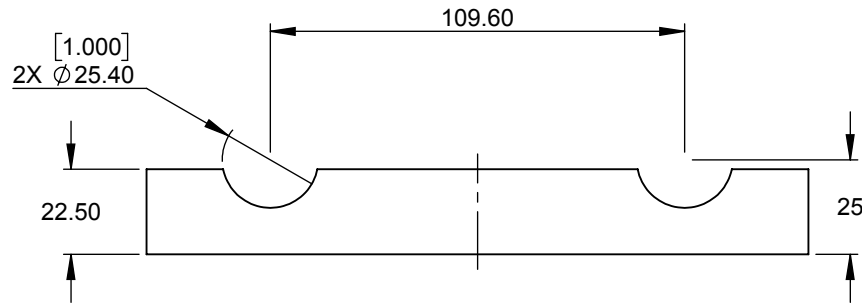


A  
B  
C

Material: <b>Plywood</b>		This drawing and any information or descriptive material set out in this work from Moocow Unicycles are licensed under a Creative Commons Attribution-ShareAlike 4.0 International License. The specific license is CC-BY-SA, which requires attribution and sharing alike. Please continue supporting free and open technical information!	Description: <b>Bambooni - Assembly Fixture</b>		
Finish: <b>None</b>			Document Type:	Drawn by: <b>David</b>	Drawn Date: <b>2015-11-09</b>
Unless Otherwise Stated: Linear Tol.: $\pm 0.2$ , Angular Tol.: $0^{\circ}15'$ Surface Finish: $0.8\mu\text{m}$ All Dimensions: <b>mm</b>		Design created by: <b>Just Moo it</b>	Checked/Approved by: <b>David</b>	Checked/Approved Date: <b>2015-11-11</b>	
Drawing Scale: <b>1:2</b>			Part Number: <b>MC-8</b>		
Approx Weight: <b>0.71 Kg</b>	Drawing Produced In Accordance With: <b>BS8888</b>		Drawing Number: <b>Assembly Fixture</b>		
Projection Method: <b>THIRD ANGLE</b>	Sheet Size: <b>A4</b>		Sheet: <b>10 of 14</b>	Revision: <b>A1</b>	
		 Moocow Unicycles, David@moocowunicycles.com			

D

Leg Holder - Top

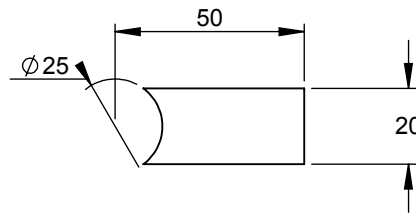
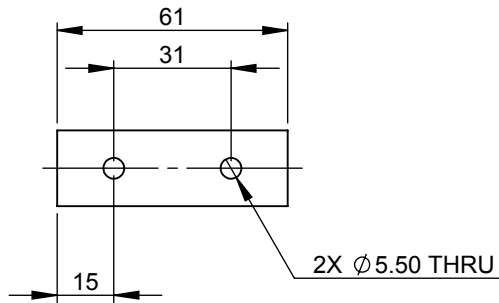
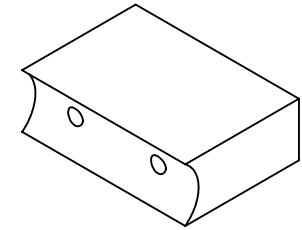
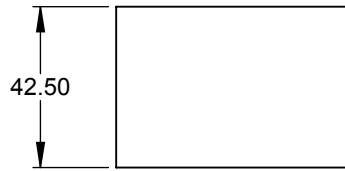


Material: <b>Plywood</b>		This drawing and any information or descriptive material set out in this work from Moocow Unicycles are licensed under a Creative Commons Attribution-ShareAlike 4.0 International License. The specific license is CC-BY-SA, which requires attribution and sharing alike. Please continue supporting free and open technical information!	Description: <b>Bambooni - Assembly Fixture</b>		
Finish: <b>None</b>			Drawn by: <b>David</b>	Drawn Date: <b>2015-11-09</b>	
Unless Otherwise Stated: Linear Tol.: $\pm 0.2$ , Angular Tol.: $0^{\circ}15'$ Surface Finish: $0.8\mu\text{m}$ All Dimensions: <b>mm</b>		Document Type:	Checked/Approved by: <b>David</b>		
Drawing Scale: <b>1:2</b>		Design created by: <b>Just Moo it</b>	Checked/Approved Date: <b>2015-11-11</b>		
Approx Weight: <b>0.71 Kg</b>	Drawing Produced In Accordance With: <b>BS8888</b>		Part Number: <b>MC-8</b>		
Projection Method: <b>THIRD ANGLE</b>	Sheet Size: <b>A4</b>	Moocow Unicycles, David@moocowunicycles.com	Drawing Number: <b>Assembly Fixture</b>		Sheet: <b>11 of 14</b>
			Revision: <b>A1</b>		


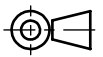
A  
B  
C

D

Bearing Housing Holder-Bottom

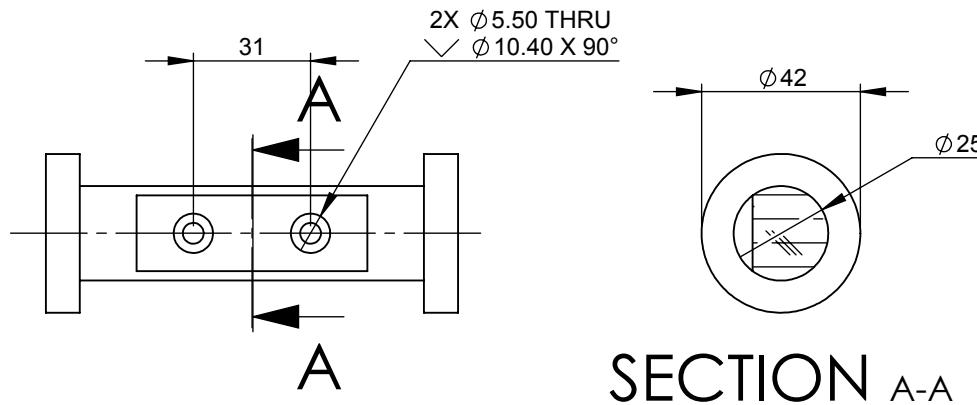
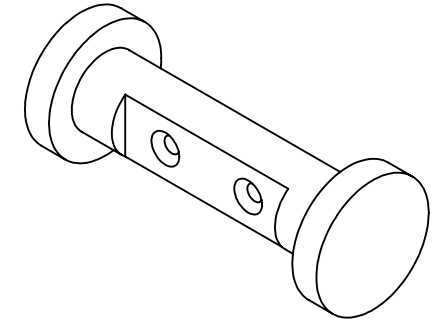
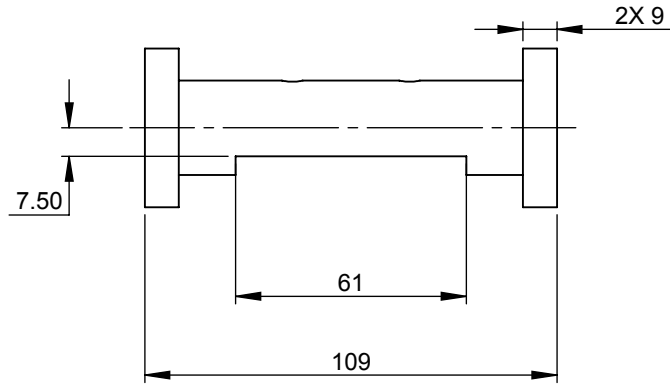


A  
B  
C


Material: <b>Plywood</b>		This drawing and any information or descriptive material set out in this work from Moocow Unicycles are licensed under a Creative Commons Attribution-ShareAlike 4.0 International License. The specific license is CC-BY-SA, which requires attribution and sharing alike. Please continue supporting free and open technical information!	Description: <b>Bambooni - Assembly Fixture</b>		
Finish: <b>None</b>			Document Type:	Drawn by: <b>David</b>	Drawn Date: <b>2015-11-09</b>
Unless Otherwise Stated: Linear Tol.: $\pm 0.2$ , Angular Tol.: $0^{\circ}15'$ Surface Finish: $0.8\mu\text{m}$ All Dimensions: <b>mm</b>			Design created by: <b>Just Moo it</b>	Checked/Approved by: <b>David</b>	Checked/Approved Date: <b>2015-11-11</b>
Drawing Scale: <b>1:2</b>		 Moocow Unicycles, David@moocowunicycles.com	Part Number: <b>MC-8</b>		
Approx Weight: <b>0.71 Kg</b>	Drawing Produced In Accordance With: <b>BS8888</b>		Drawing Number: <b>Assembly Fixture</b>	Sheet: <b>12 of 14</b>	Revision: <b>A1</b>
Projection Method: <b>THIRD ANGLE</b> 	Sheet Size: <b>A4</b>				

D

Bearing Housing Holder - Top

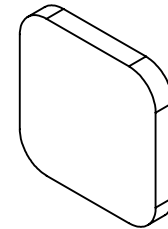
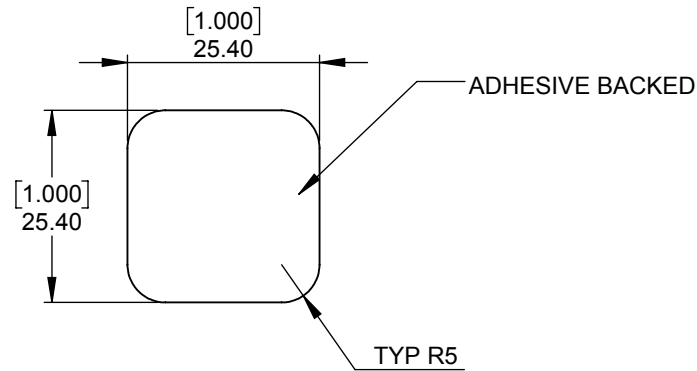
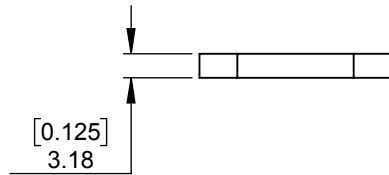


SECTION A-A

Material: <b>Plywood</b>		This drawing and any information or descriptive material set out in this work from Moocow Unicycles are licensed under a Creative Commons Attribution-ShareAlike 4.0 International License. The specific license is CC-BY-SA, which requires attribution and sharing alike. Please continue supporting free and open technical information!	Description: <b>Bambooni - Assembly Fixture</b>		
Finish: <b>None</b>			Document Type:	Drawn by: <b>David</b>	Drawn Date: <b>2015-11-09</b>
Unless Otherwise Stated: Linear Tol.: <b>±0.2</b> , Angular Tol.: <b>0°15'</b> Surface Finish: <b>0.8µm</b> All Dimensions: <b>mm</b>		Design created by: <b>Just Moo it</b>	Checked/Approved by: <b>David</b>	Checked/Approved Date: <b>2015-11-11</b>	
Drawing Scale: <b>1:2</b>			Part Number: <b>MC-8</b>		
Approx Weight: <b>0.71 Kg</b>	Drawing Produced In Accordance With: <b>BS8888</b>		Drawing Number:		
Projection Method: <b>THIRD ANGLE</b>	Sheet Size: <b>A4</b>		Revision:		
		Moocow Unicycles, David@moocowunicycles.com	<b>Assembly Fixture</b>		<b>13 of 14 A1</b>

A  
B  
C  
D



Footpad



A

B

C

Material: <b>Rubber</b>		This drawing and any information or descriptive material set out in this work from Moocow Unicycles are licensed under a Creative Commons Attribution-ShareAlike 4.0 International License. The specific license is CC-BY-SA, which requires attribution and sharing alike. Please continue supporting free and open technical information!	Description: <b>Bambooni - Assembly Fixture</b>		
Finish: <b>Adhesive Backing</b>			Document Type:	Drawn by: <b>David</b>	Drawn Date: <b>2015-11-09</b>
Unless Otherwise Stated: Linear Tol.: $\pm 0.2$ , Angular Tol.: $0^{\circ}15'$ Surface Finish: <b>0.8<math>\mu</math>m</b> All Dimensions: <b>mm</b>			Design created by: 	Checked/Approved by: <b>David</b>	Checked/Approved Date: <b>2015-11-11</b>
Drawing Scale: <b>1:1</b>		Just Moo it	Part Number: <b>MC-8</b>		
Approx Weight: <b>0.71 Kg</b>	Drawing Produced In Accordance With: <b>BS8888</b>		Drawing Number: <b>Assembly Fixture</b>		
Projection Method: <b>THIRD ANGLE</b> 	Sheet Size: <b>A4</b>		Sheet: <b>14 of 14</b>	Revision: <b>A1</b>	
		Moocow Unicycles, David@moocowunicycles.com			

D