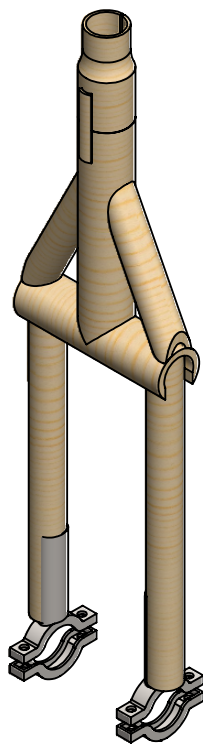
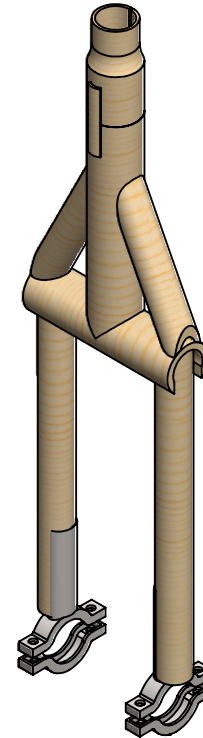
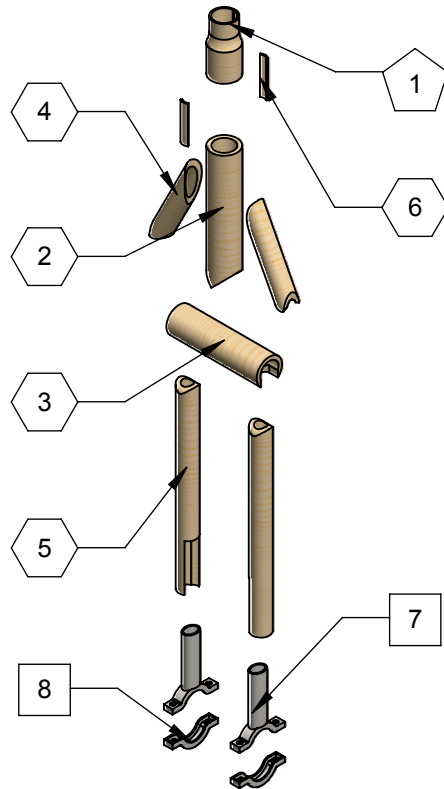



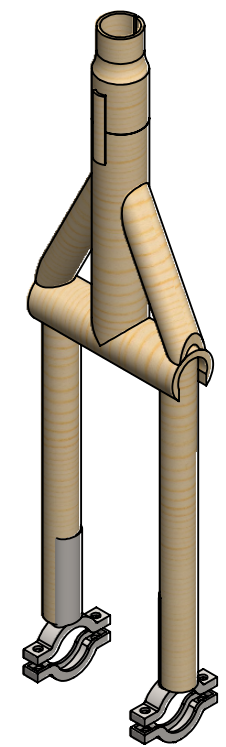
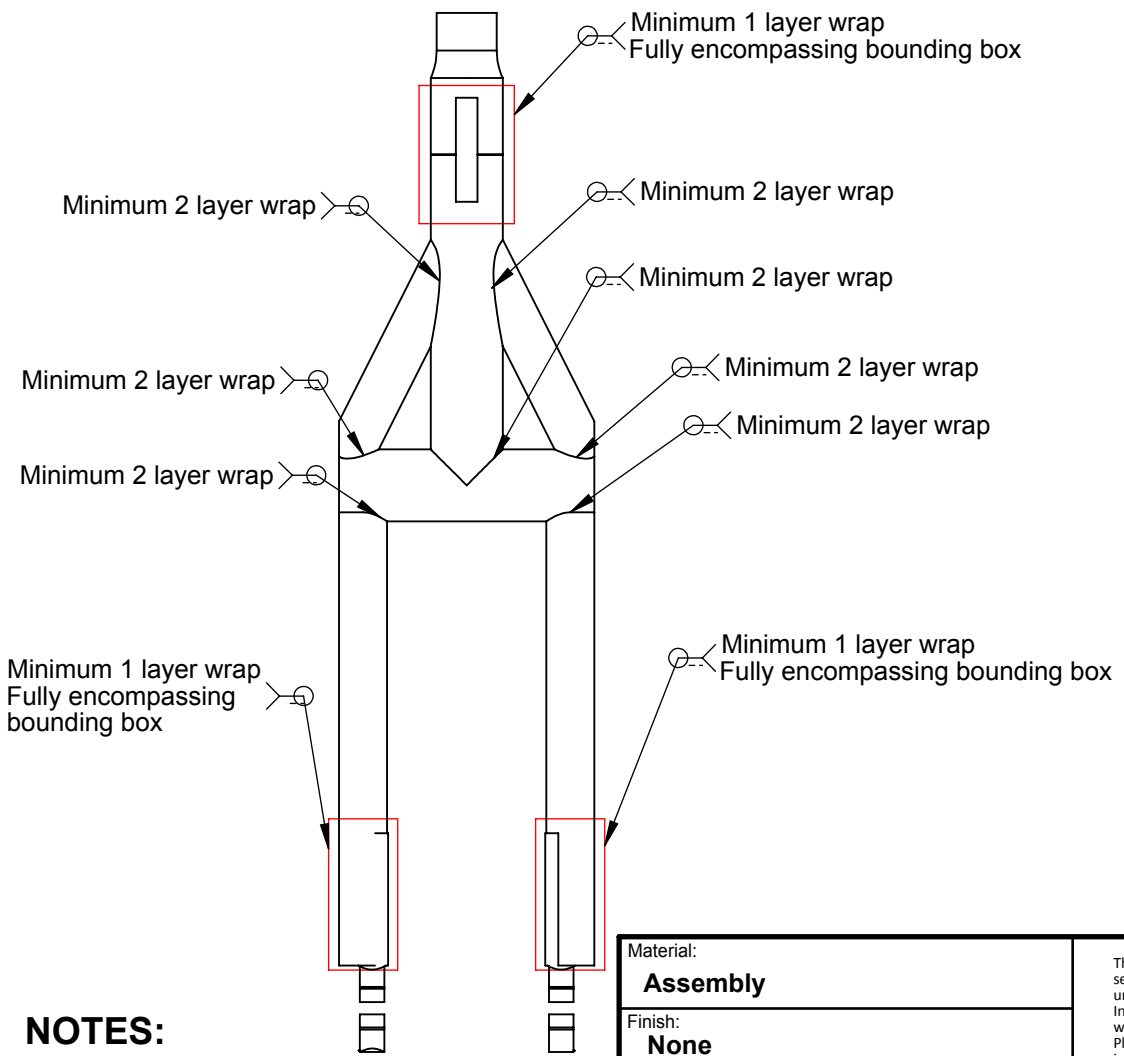


1	2		3		4	5 REVISIONS			6	
ITEM NO.	DESCRIPTION	MATERIAL	QUANTITY	COST (CAD)	COST/FOOT MATERIAL (CAD)	SOURCE	REV.	DESCRIPTION	DATE	APPROVED
							A1	RELEASED TO BAMBOONI	2015-10-31	2015-11-01
1	Neck - Top	Epoxy Impregnated Bamboo	1	0.28	1.15	Bambootoronto.com				
2	Neck - Bottom	Bamboo	1	0.66						
3	Crossbar	Bamboo	1	0.51						
4	Neck Support	Bamboo	2	0.47						
5	Leg	Bamboo	2	1.02						
6	Seat Post Clamp Reinforcement	Bamboo	2	0.12						
7	Bearing Housing	Steel	2	22	n/a	Municycle.ca				
8	Bearing Housing Cap	Steel	2							



Material: Assembly		This drawing and any information or descriptive material set out in this work from Moocow Unicycles are licensed under a Creative Commons Attribution-ShareAlike 4.0 International License. The specific license is CC-BY-SA, which requires attribution and sharing alike. Please continue supporting free and open technical information!		Description: Bamboo Unicycle Frame	
Finish: None		Document Type:		Drawn by: David	
Unless Otherwise Stated: Linear Tol.: ± 0.2 , Angular Tol.: $0^{\circ}15'$ Surface Finish: $0.8\mu\text{m}$ All Dimensions: mm		Design created by: Just Moo it 		Drawn Date: 2015-10-31	
Drawing Scale: 1:8		Projection Method: THIRD ANGLE 		Checked/Approved by: David	
Approx Weight: 0.71 Kg		Drawing Produced In Accordance With: BS8888		Checked/Approved Date: 2015-11-01	
Sheet Size: A4		Part Number: MC-7		Part Number: MC-7	
Projection Method: THIRD ANGLE 		Sheet Size: A4		Drawing Number: Moocow Bambooni	
Moocow Unicycles, David@moocowunicycles.com		Moocow Bambooni		Sheet: 1 of 11	
				Revision: A1	



A
B
C

NOTES:

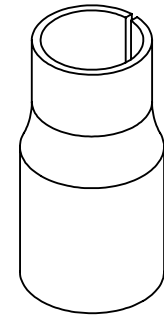
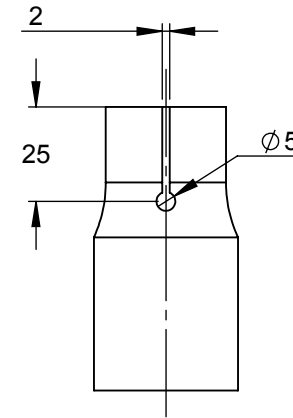
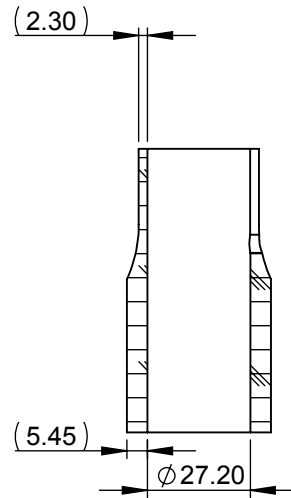
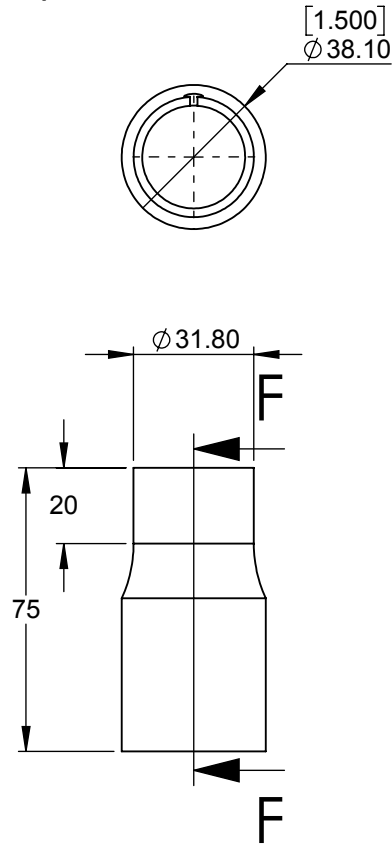
WELD SYMBOLS USED TO DENOTE AREAS TO BE WRAPPED WITH COMPOSITES AND EPOXY TO ACHIEVE A STRONG JOINT

Material: Assembly		This drawing and any information or descriptive material set out in this work from Moocow Unicycles are licensed under a Creative Commons Attribution-ShareAlike 4.0 International License. The specific license is CC-BY-SA, which requires attribution and sharing alike. Please continue supporting free and open technical information!		Description: Bamboo Unicycle Frame	
Finish: None				Drawn by: David	Drawn Date: 2015-10-31
Unless Otherwise Stated: Linear Tol.: ± 0.2 , Angular Tol.: $0^{\circ}15'$ Surface Finish: $0.8\mu m$ All Dimensions: mm		Document Type:		Checked/Approved by: David	Checked/Approved Date: 2015-11-01
Drawing Scale: 1:4		Design created by: Just Moo it		Part Number: MC-7	
Approx Weight: Kg	Drawing Produced In Accordance With: BS8888	Moocow Unicycles, David@moocowunicycles.com		Drawing Number: Moocow Bambooni	Sheet: 2 of 11
Projection Method: THIRD ANGLE		Sheet Size: A4		Revision: A1	



D

Neck - Top

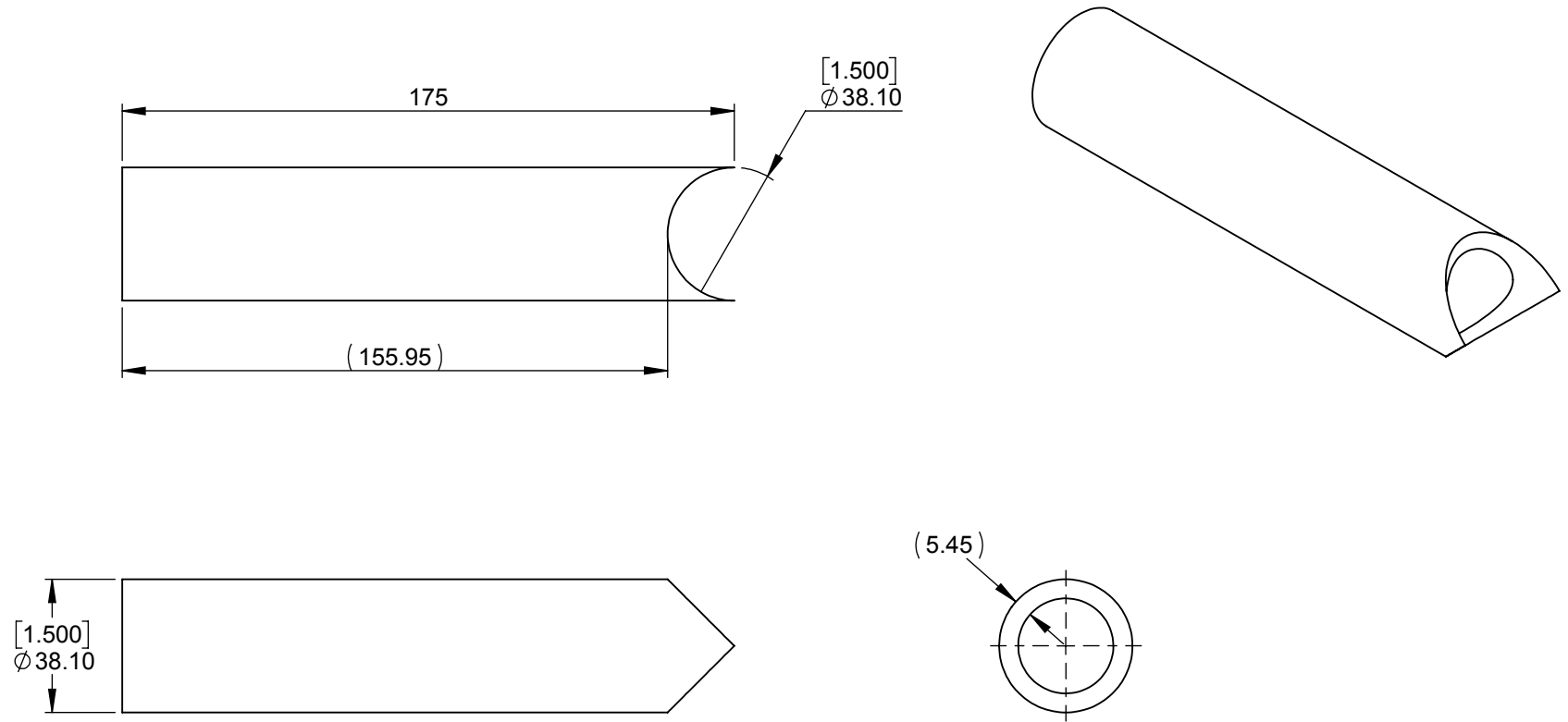


SECTION F-F

Material: Epoxy Impregnated Bamboo		This drawing and any information or descriptive material set out in this work from Moocow Unicycles are licensed under a Creative Commons Attribution-ShareAlike 4.0 International License. The specific license is CC-BY-SA, which requires attribution and sharing alike. Please continue supporting free and open technical information!		Description: Bamboo Unicycle Frame	
Finish: None		Document Type:		Drawn by: David	
Unless Otherwise Stated: Linear Tol.: ±0.2, Angular Tol.: 0°15' Surface Finish: 0.8µm All Dimensions: mm		Design created by: Just Moo it		Drawn Date: 2015-10-31	
Drawing Scale: 1:2		Moocow Unicycles, David@moocowunicycles.com		Checked/Approved by: David	
Approx Weight: Kg	Drawing Produced In Accordance With: BS8888			Checked/Approved Date: 2015-11-01	
Projection Method: THIRD ANGLE		Sheet Size: A4		Part Number: MC-7	
		Moocow Unicycles, David@moocowunicycles.com		Drawing Number: Moocow Bambooni	
				Sheet: 3 of 11	Revision: A1

A
B
C
D

Neck - Bottom

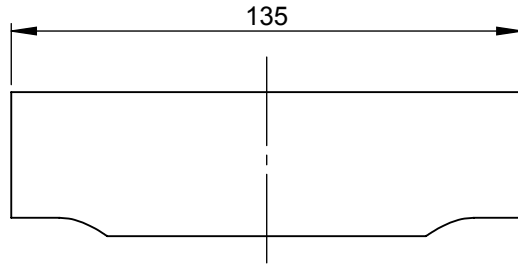
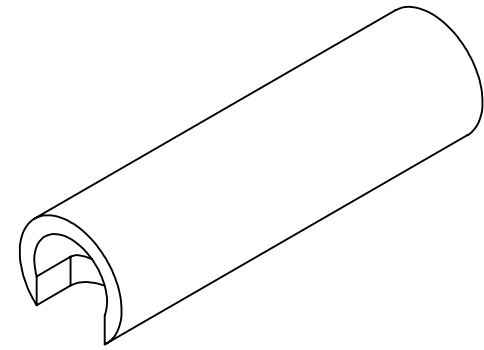
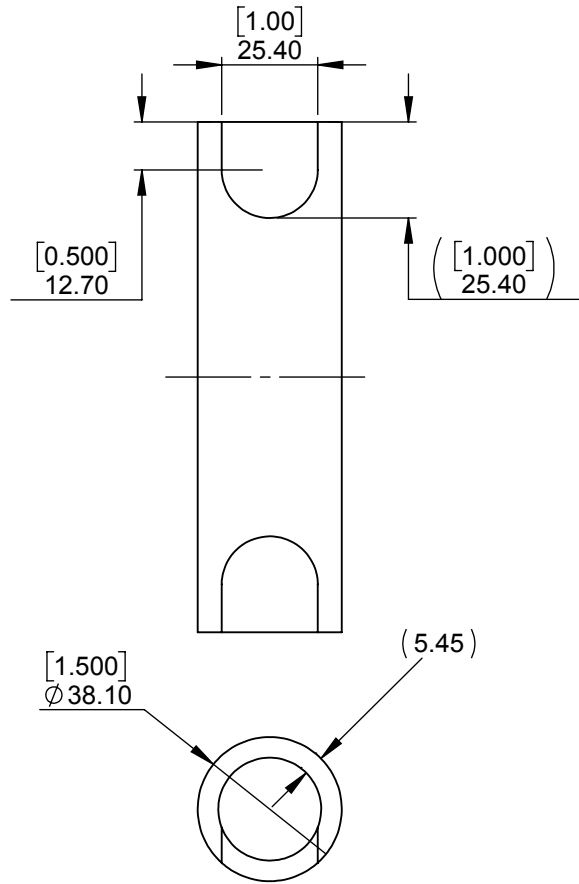


A
B
C



Material: Bamboo		This drawing and any information or descriptive material set out in this work from Moocow Unicycles are licensed under a Creative Commons Attribution-ShareAlike 4.0 International License. The specific license is CC-BY-SA, which requires attribution and sharing alike. Please continue supporting free and open technical information!	Description: Bamboo Unicycle Frame		
Finish: None			Document Type:	Drawn by: David	Drawn Date: 2015-10-31
Unless Otherwise Stated: Linear Tol.: ±0.2, Angular Tol.: 0°15' Surface Finish: 0.8µm All Dimensions: mm		Design created by: Just Moo it	Checked/Approved by: David	Checked/Approved Date: 2015-11-01	
Drawing Scale: 1:2			Moocow Unicycles, David@moocowunicycles.com	Part Number: MC-7	
Approx Weight: Kg	Drawing Produced In Accordance With: BS8888	Drawing Number:		Sheet:	Revision:
Projection Method: THIRD ANGLE	Sheet Size: A4	Moocow Bambooni		4 of 11	A1

D

Crossbar

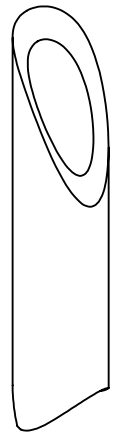
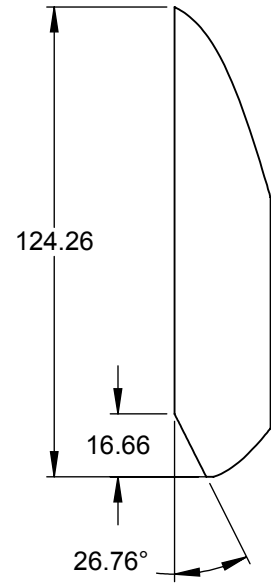
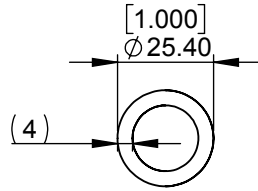


A
B
C

Material: Bamboo		This drawing and any information or descriptive material set out in this work from Moocow Unicycles are licensed under a Creative Commons Attribution-ShareAlike 4.0 International License. The specific license is CC-BY-SA, which requires attribution and sharing alike. Please continue supporting free and open technical information!	Description: Bamboo Unicycle Frame			
Finish: None			Drawn by: David	Drawn Date: 2015-10-31		
Unless Otherwise Stated: Linear Tol.: ± 0.2 , Angular Tol.: $0^{\circ}15'$ Surface Finish: $0.8\mu\text{m}$ All Dimensions: mm		Document Type:			Checked/Approved by: David	Checked/Approved Date: 2015-11-01
Drawing Scale: 1:2		Design created by: Just Moo it			Part Number: MC-7	
Approx Weight: Kg	Drawing Produced In Accordance With: BS8888					
Projection Method: THIRD ANGLE		Sheet Size: A4				
		Moocow Unicycles, David@moocowunicycles.com		Drawing Number: Moocow Bambooni	Sheet: 5 of 11	Revision: A1

D

Neck Support (general dims)




A

B

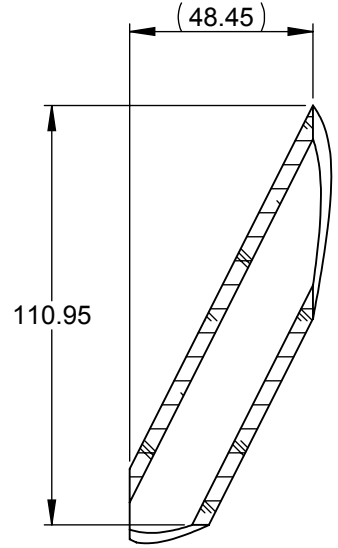
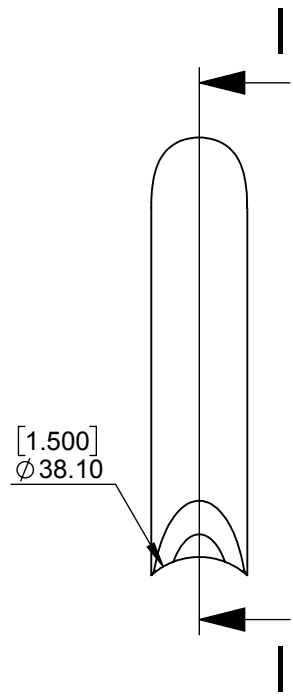
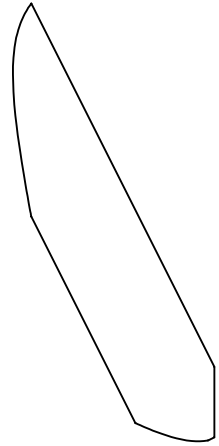
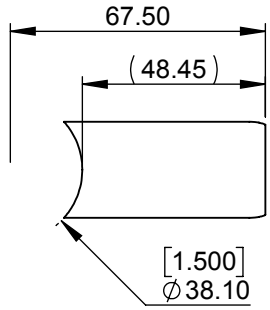
C

D

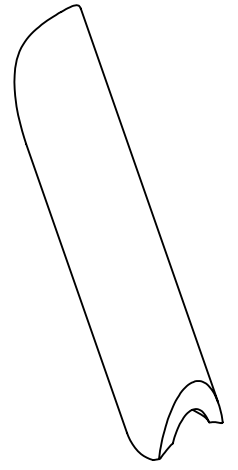
Material: Bamboo		This drawing and any information or descriptive material set out in this work from Moocow Unicycles are licensed under a Creative Commons Attribution-ShareAlike 4.0 International License. The specific license is CC-BY-SA, which requires attribution and sharing alike. Please continue supporting free and open technical information!	Description: Bamboo Unicycle Frame			
Finish: None			Drawn by: David	Drawn Date: 2015-10-31		
Unless Otherwise Stated: Linear Tol.: ± 0.2 , Angular Tol.: $0^\circ 15'$ Surface Finish: $0.8\mu\text{m}$ All Dimensions: mm		Document Type:			Checked/Approved by: David	Checked/Approved Date: 2015-11-01
Drawing Scale: 1:2		Design created by: Just Moo it			Part Number: MC-7	
Approx Weight: Kg	Drawing Produced In Accordance With: BS8888		Drawing Number: Moocow Bambooni			
Projection Method: THIRD ANGLE 		Sheet Size: A4		Sheet: 6 of 11	Revision: A1	
		Moocow Unicycles, David@moocowunicycles.com				




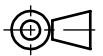
Neck Support (cut dims)



SECTION I-I

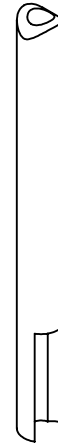
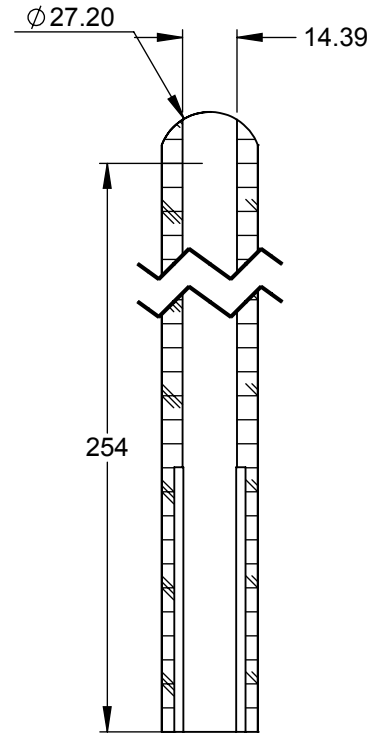
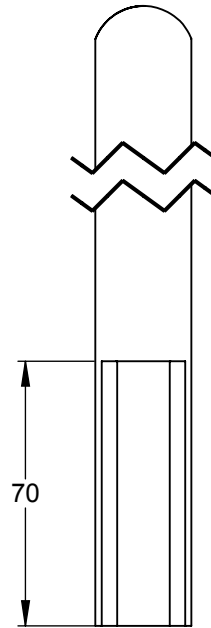
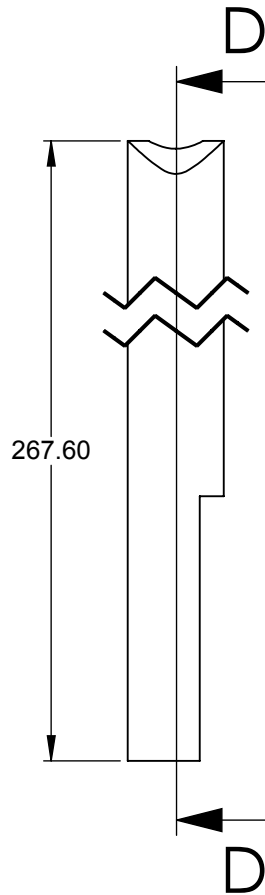


A
B
C

Material: Bamboo		This drawing and any information or descriptive material set out in this work from Moocow Unicycles are licensed under a Creative Commons Attribution-ShareAlike 4.0 International License. The specific license is CC-BY-SA, which requires attribution and sharing alike. Please continue supporting free and open technical information!	Description: Bamboo Unicycle Frame		
Finish: None			Document Type:	Drawn by: David	Drawn Date: 2015-10-31
Unless Otherwise Stated: Linear Tol.: ± 0.2 , Angular Tol.: $0^{\circ}15'$ Surface Finish: $0.8\mu\text{m}$ All Dimensions: mm		Design created by: Just Moo it  Moocow Unicycles, David@moocowunicycles.com	Checked/Approved by: David	Checked/Approved Date: 2015-11-01	
Drawing Scale: 1:2			Part Number: MC-7		
Approx Weight: Kg	Drawing Produced In Accordance With: BS8888	Drawing Number: Moocow Bambooni			
Projection Method: THIRD ANGLE 	Sheet Size: A4	Sheet: 7 of 11	Revision: A1		

D

Leg

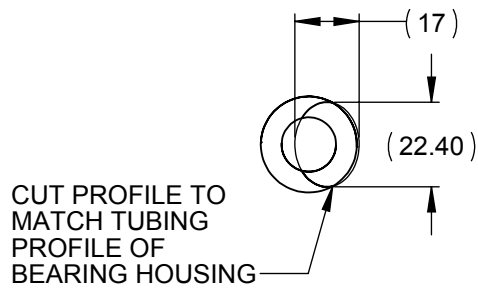


A

B

C

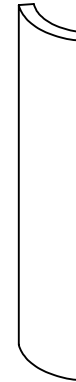
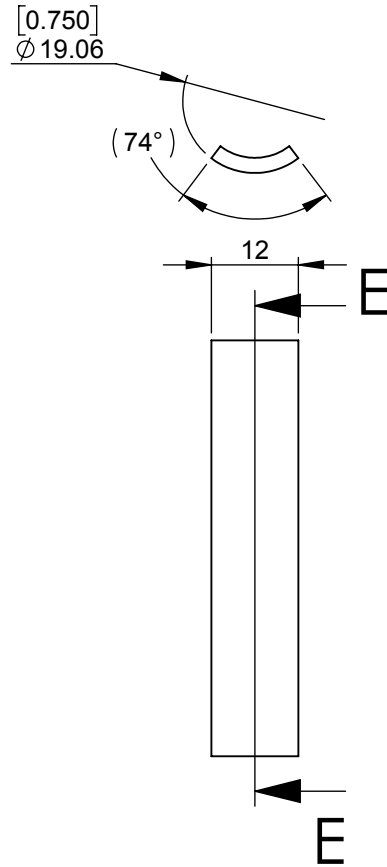
SECTION D-D



Material: Bamboo		This drawing and any information or descriptive material set out in this work from Moocow Unicycles are licensed under a Creative Commons Attribution-ShareAlike 4.0 International License. The specific license is CC-BY-SA, which requires attribution and sharing alike. Please continue supporting free and open technical information!		Description: Bamboo Unicycle Frame	
Finish: None		Document Type:		Drawn by: David	
Unless Otherwise Stated: Linear Tol.: ± 0.2 , Angular Tol.: $0^{\circ}15'$ Surface Finish: $0.8\mu\text{m}$ All Dimensions: mm		Design created by: Just Moo it		Drawn Date: 2015-10-31	
Drawing Scale: 1:2				Checked/Approved by: David	
Approx Weight: Kg		Drawing Produced In Accordance With: BS8888		Checked/Approved Date: 2015-11-01	
Projection Method: THIRD ANGLE		Sheet Size: A4		Part Number: MC-7	
		Moocow Unicycles, David@moocowunicycles.com		Drawing Number: Moocow Bambooni	
				Sheet: 8 of 11	
				Revision: A1	



D

Seat Post Clamp Reinforcement



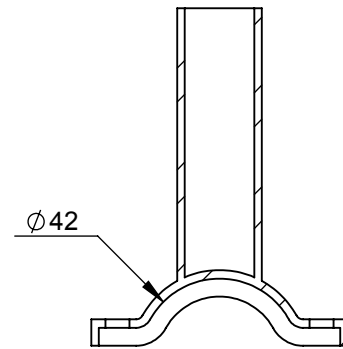
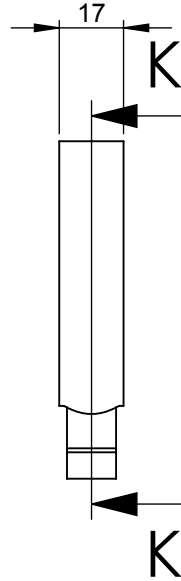
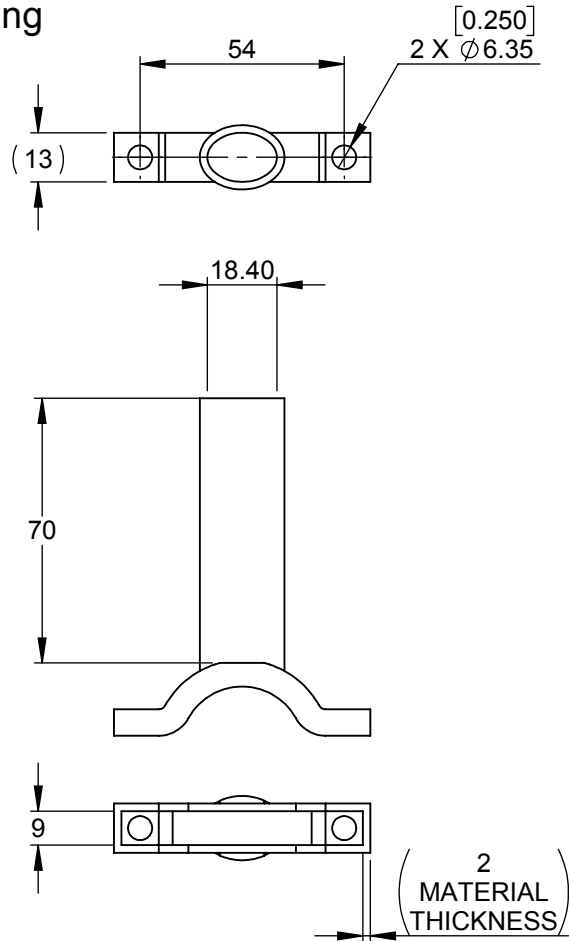
SECTION E-E

A
B
C

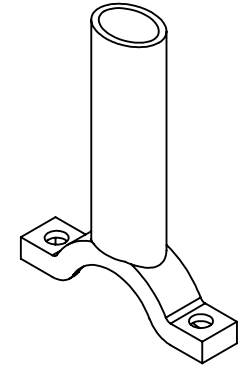
Material: Bamboo		This drawing and any information or descriptive material set out in this work from Moocow Unicycles are licensed under a Creative Commons Attribution-ShareAlike 4.0 International License. The specific license is CC-BY-SA, which requires attribution and sharing alike. Please continue supporting free and open technical information!	Description: Bamboo Unicycle Frame		
Finish: None			Document Type:	Drawn by: David	Drawn Date: 2015-10-31
Unless Otherwise Stated: Linear Tol.: ± 0.2 , Angular Tol.: $0^{\circ}15'$ Surface Finish: 0.8μm All Dimensions: mm		Design created by:  Just Moo it	Checked/Approved by: David	Checked/Approved Date: 2015-11-01	
Drawing Scale: 1:1			Part Number: MC-7		
Approx Weight: Kg	Drawing Produced In Accordance With: BS8888		Drawing Number:		
Projection Method: THIRD ANGLE 		Sheet Size: A4	Moocow Unicycles, David@moocowunicycles.com		Sheet: 9 of 11
			Revision: A1		

D

Bearing Housing



SECTION K-K




A
B
C

Material: Steel	
Finish: None	
Unless Otherwise Stated: Linear Tol.: ±0.2, Angular Tol.: 0°15' Surface Finish: 0.8µm All Dimensions: mm	
Drawing Scale: 1:2	
Approx Weight: Kg	Drawing Produced In Accordance With: BS8888
Projection Method: THIRD ANGLE	Sheet Size: A4

This drawing and any information or descriptive material set out in this work from Moocow Unicycles are licensed under a Creative Commons Attribution-ShareAlike 4.0 International License. The specific license is CC-BY-SA, which requires attribution and sharing alike. Please continue supporting free and open technical information!

Document Type:

Design created by:
Just Moo it

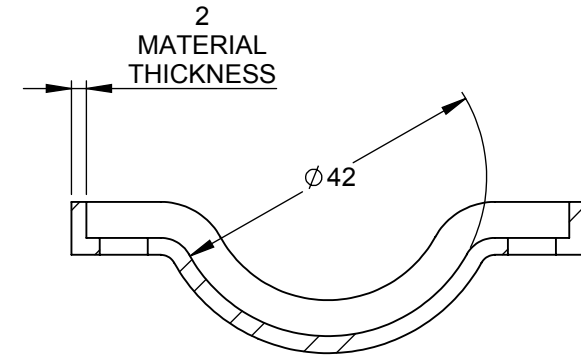
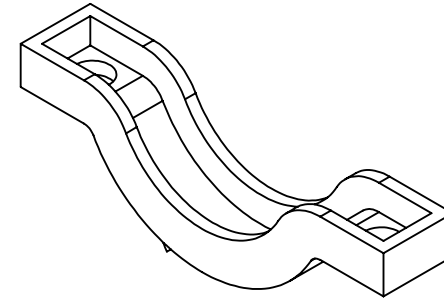
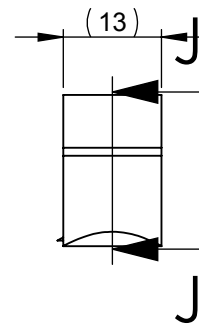
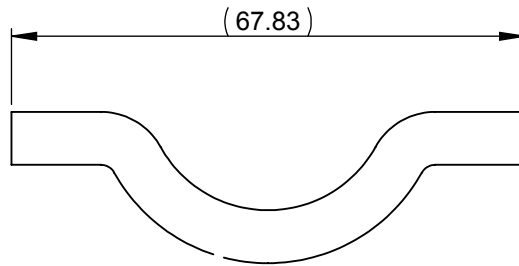
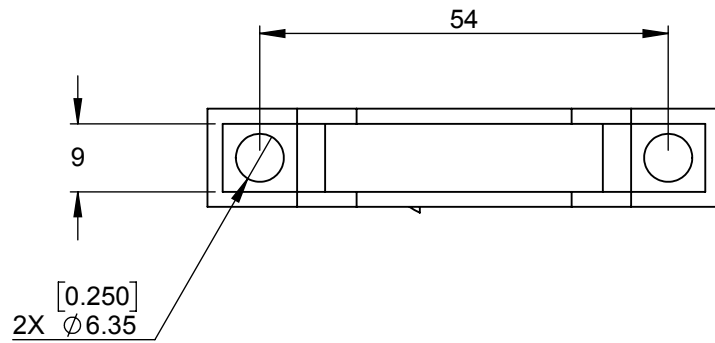


Moocow Unicycles,
David@moocowunicycles.com


Description: Bamboo Unicycle Frame		
Drawn by: David	Drawn Date: 2015-10-31	
Checked/Approved by: David	Checked/Approved Date: 2015-11-01	
Part Number: MC-7		
Drawing Number: Moocow Bambooni	Sheet: 10 of 11	Revision: A1

D

Bearing Housing Cap



SECTION J-J

Material: Steel		This drawing and any information or descriptive material set out in this work from Moocow Unicycles are licensed under a Creative Commons Attribution-ShareAlike 4.0 International License. The specific license is CC-BY-SA, which requires attribution and sharing alike. Please continue supporting free and open technical information!	Description: Bamboo Unicycle Frame		
Finish: None			Drawn by: David	Drawn Date: 2015-10-31	
Unless Otherwise Stated: Linear Tol.: ±0.2, Angular Tol.: 0°15' Surface Finish: 0.8µm All Dimensions: mm		Document Type:	Checked/Approved by: David		
Drawing Scale: 1:1		Design created by: Just Moo it	Checked/Approved Date: 2015-11-01		
Approx Weight: Kg	Drawing Produced In Accordance With: BS8888		Part Number: MC-7		
Projection Method: THIRD ANGLE		Sheet Size: A4	Drawing Number:		
		Moocow Unicycles, David@moocowunicycles.com	Moocow Bambooni		Sheet: 11 of 11
			Revision: A1		