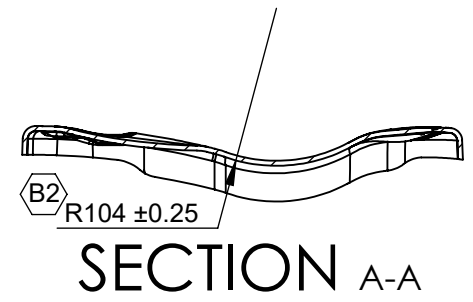
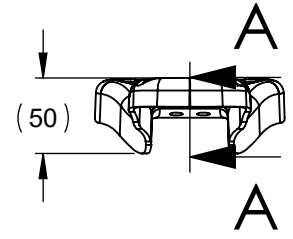
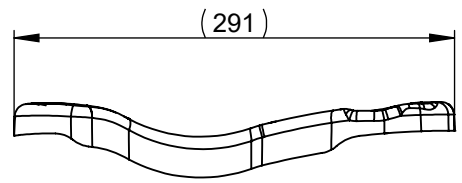
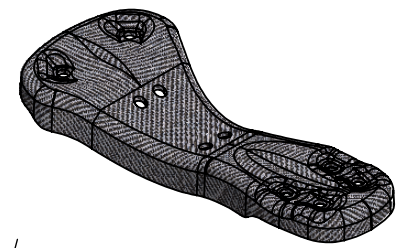
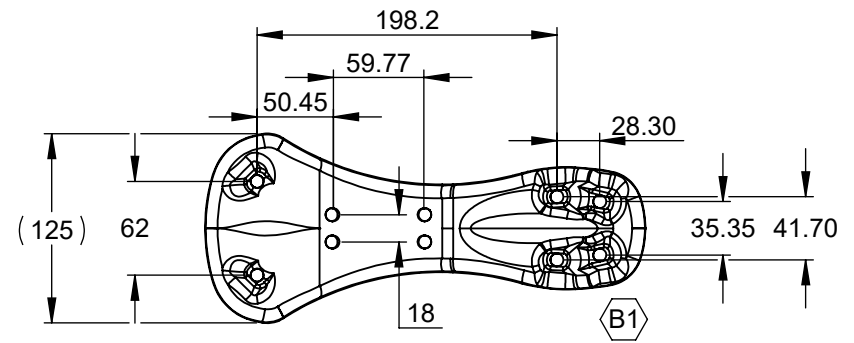


REVISIONS			
REV.	DESCRIPTION	DATE	APPROVED
A1	RELEASED FOR QUOTATION	2015-01-04	2016-02-11
A2	UPDATED DIMENSIONS	2016-02-17	2016-02-17
B1	HANDLE INTERFACE UPDATED TO ACCOMODATE NEW FASTENERS	2016-03-03	2016-03-05
B2	UPDATED TOLERANCE	2016-03-14	2016-03-15



SECTION A-A

UNLESS OTHERWISE STATED
MATERIAL THICKNESS: 3.3mm

Material: Carbon Fiber		This drawing and any information or descriptive material set out in this work from Moocow Unicycles are licensed under a Creative Commons Attribution-ShareAlike 4.0 International License. The specific license is CC-BY-SA, which requires attribution and sharing alike. Please continue supporting free and open technical information!	Description: UNICYCLE BASE	
Finish: GLOSSY INTERIOR			Drawn by: David	Drawn Date: 2015-12-16
Unless Otherwise Stated: Linear Tol.: ±0.2, Angular Tol.: 0°15' Surface Finish: 0.8µm All Dimensions: mm			Checked/Approved by: David	Checked/Approved Date: 2016-03-06
Drawing Scale: 1:5		Design created by: Just Moo it	Part Number: MC-1010	
Approx Weight: 231 g	Drawing Produced In Accordance With: BS8888	Moocow Unicycles, David@moocowunicycles.com	Drawing Number: MC-1010-P	
Projection Method: THIRD ANGLE	Sheet Size: A4		Sheet: 1 of 1	Revision: B2

