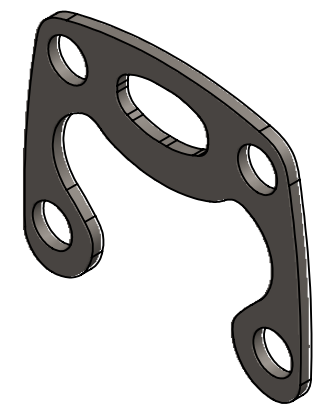
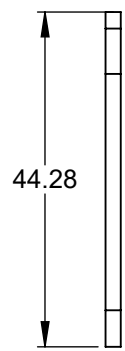
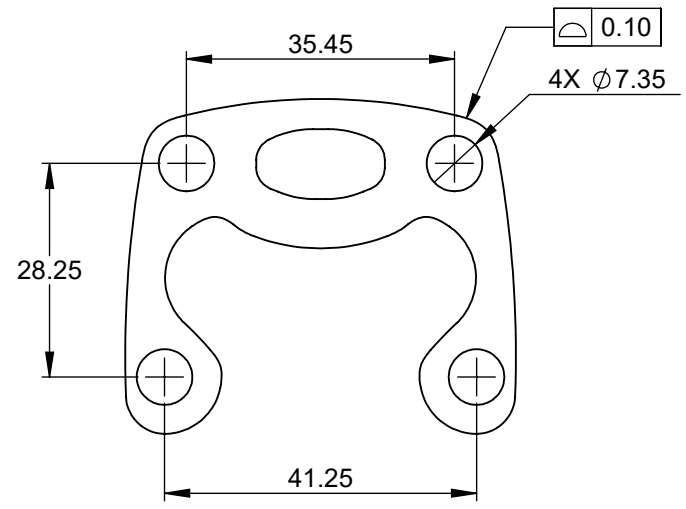
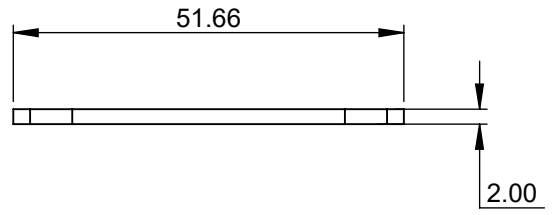


REVISIONS		
REV.	DESCRIPTION	DATE
A1	RELEASED FOR QUOTATION	2016-01-05
B1	UPDATED FILLET RADII	2016-01-12



**UNLESS OTHERWISE STATED**

**DEBURR AND REMOVE ALL SHARP EDGES**

<b>Material:</b> <b>Cold Rolled Steel</b>		This drawing and any information or descriptive material set out on it are completely open source, from Moocow Unicycles. Please continue supporting free and open technical information!	<b>Description:</b> <b>Handle Reinforcement</b>		
<b>Finish:</b> <b>Powder Coated</b>			Drawn by: <b>David</b>	Drawn Date: <b>2016-01-05</b>	
Unless Otherwise Stated: Linear Tol.: ±0.2, Angular Tol.: 0°15' All Dimensions: mm			Checked/Approved by: <b>David</b>	Checked/Approved Date: <b>2016-01-05</b>	
Drawing Scale: <b>1:1</b>		Design created by: Just Moo it	Part Name: <b>Handle Reinforcement-Bottle Opener</b>		
Approx Weight: <b>14.68 g</b>	Drawing Produced In Accordance With: <b>BS8888</b>		Drawing Number: <b>HR-1016</b>		
Projection Method: <b>THIRD ANGLE</b>		Sheet Size: <b>A4</b>	Sheet: <b>1 of 1</b>		Revision: <b>B1</b>
		Moocow Unicycles, David@moochowunicycles.com			

A

B

C

D