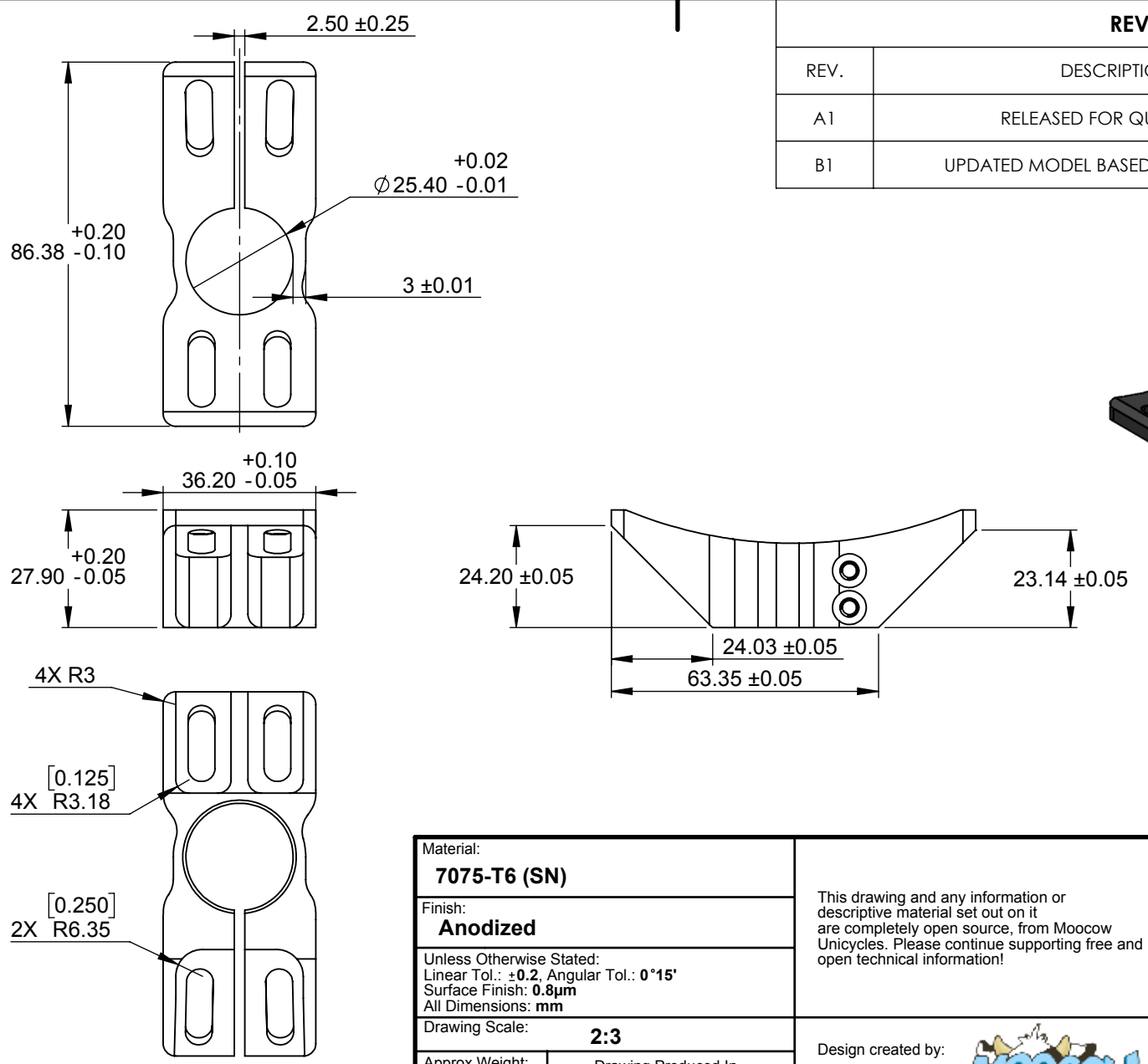
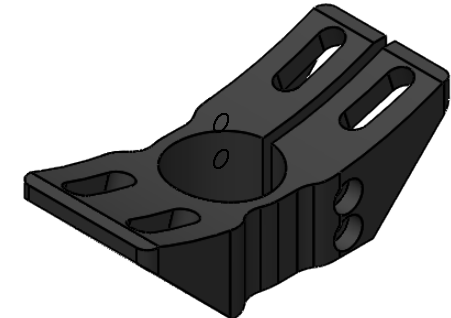

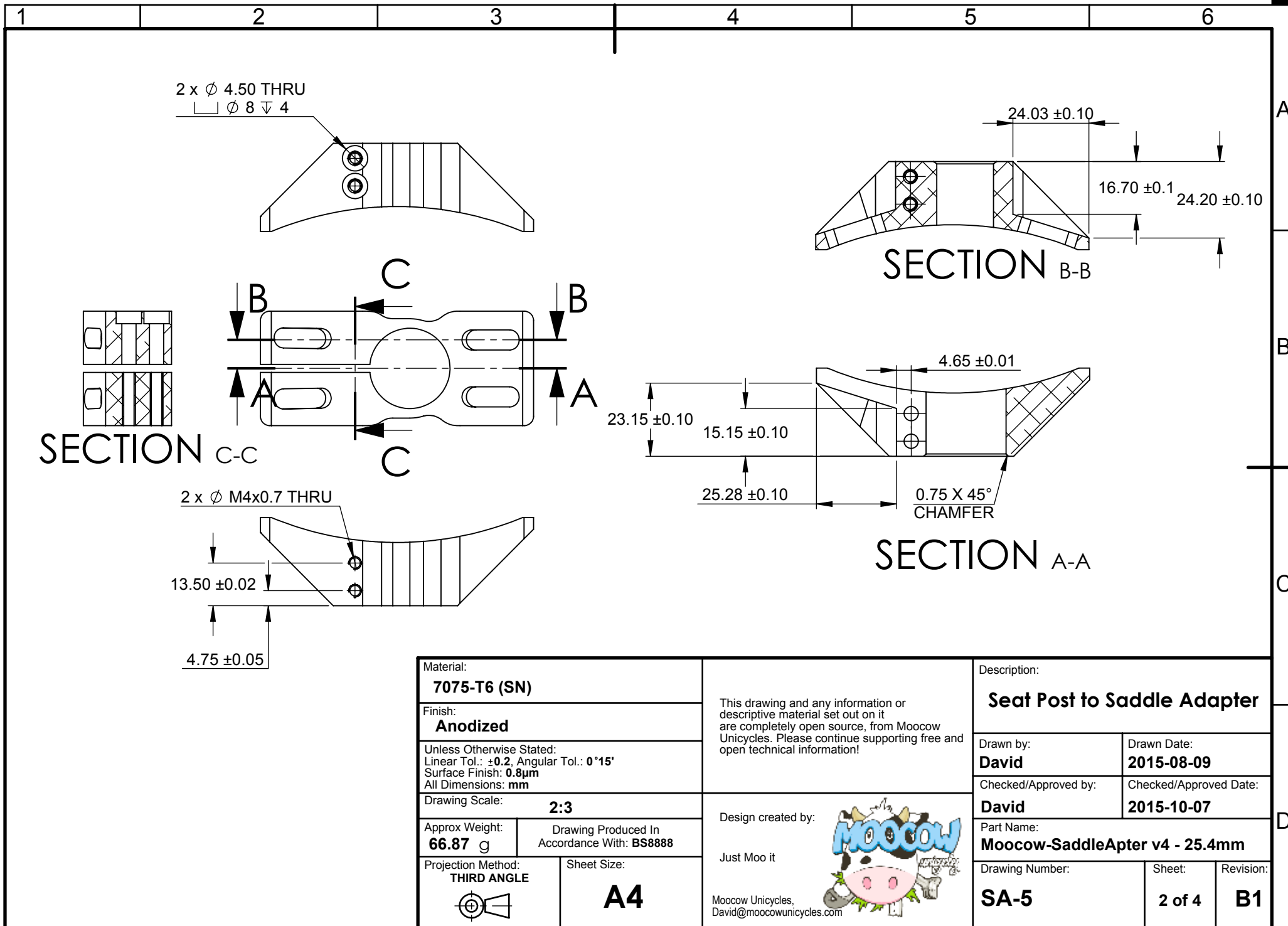




1	2	3	4	5	6											
 <p> <math>2.50 \pm 0.25</math>  <math>86.38^{+0.20}_{-0.10}</math>  <math>\varnothing 25.40^{+0.02}_{-0.01}</math>  <math>3 \pm 0.01</math>  <math>36.20^{+0.10}_{-0.05}</math>  <math>27.90^{+0.20}_{-0.05}</math>  <math>24.20 \pm 0.05</math>  <math>23.14 \pm 0.05</math>  <math>24.03 \pm 0.05</math>  <math>63.35 \pm 0.05</math>            4X R3            4X <math>[0.125]</math> R3.18            2X <math>[0.250]</math> R6.35         </p>			<b>REVISIONS</b> <table border="1" style="width: 100%; border-collapse: collapse;"> <thead> <tr> <th style="width: 10%;">REV.</th> <th style="width: 60%;">DESCRIPTION</th> <th style="width: 30%;">DATE</th> </tr> </thead> <tbody> <tr> <td>A1</td> <td>RELEASED FOR QUOTATION</td> <td>2015-08-10</td> </tr> <tr> <td>B1</td> <td>UPDATED MODEL BASED ON PROTOTYPE</td> <td>2015-10-20</td> </tr> </tbody> </table>		REV.	DESCRIPTION	DATE	A1	RELEASED FOR QUOTATION	2015-08-10	B1	UPDATED MODEL BASED ON PROTOTYPE	2015-10-20	 <p style="text-align: center;"> <b>UNLESS OTHERWISE STATED</b>   <b>DEBURR AND REMOVE ALL SHARP EDGES</b> </p>		
REV.	DESCRIPTION	DATE														
A1	RELEASED FOR QUOTATION	2015-08-10														
B1	UPDATED MODEL BASED ON PROTOTYPE	2015-10-20														
<b>PART REVISION</b>			<p>Material:</p> <p><b>7075-T6 (SN)</b></p> <p>Finish:</p> <p><b>Anodized</b></p> <p>Unless Otherwise Stated:            Linear Tol.: <math>\pm 0.2</math>, Angular Tol.: <math>0^{\circ}15'</math>            Surface Finish: <math>0.8\mu\text{m}</math>            All Dimensions: mm</p> <p>Drawing Scale: <b>2:3</b></p> <p>Approx Weight: <b>66.87 g</b>      Drawing Produced In Accordance With: <b>BS8888</b></p> <p>Projection Method: <b>THIRD ANGLE</b>      Sheet Size: <b>A4</b></p>		<p>Description:</p> <p><b>Seat Post to Saddle Adapter</b></p> <p>Design created by:</p>  <p>Just Moo it</p> <p>MooCow Unicycles, David@mooCowunicycles.com</p>											
<table border="1" style="width: 100%; border-collapse: collapse;"> <thead> <tr> <th style="width: 50%;">PART NAME</th> <th style="width: 50%;">REVISION</th> </tr> </thead> <tbody> <tr> <td>MooCow-SaddleApter v4 - 25.4mm</td> <td>B</td> </tr> </tbody> </table>		PART NAME	REVISION	MooCow-SaddleApter v4 - 25.4mm	B	<table border="1" style="width: 100%; border-collapse: collapse;"> <thead> <tr> <th style="width: 33%;">Checked/Approved by:</th> <th style="width: 33%;">Checked/Approved Date:</th> <th style="width: 34%;">Revision:</th> </tr> </thead> <tbody> <tr> <td>David</td> <td>2015-10-07</td> <td>B1</td> </tr> </tbody> </table>		Checked/Approved by:	Checked/Approved Date:	Revision:	David	2015-10-07	B1	<p>Drawn by:</p> <p><b>David</b></p> <p>Drawn Date:</p> <p><b>2015-08-09</b></p> <p>Part Name:</p> <p><b>MooCow-SaddleApter v4 - 25.4mm</b></p> <p>Drawing Number:</p> <p><b>SA-5</b></p> <p>Sheet:</p> <p><b>1 of 4</b></p>		
PART NAME	REVISION															
MooCow-SaddleApter v4 - 25.4mm	B															
Checked/Approved by:	Checked/Approved Date:	Revision:														
David	2015-10-07	B1														



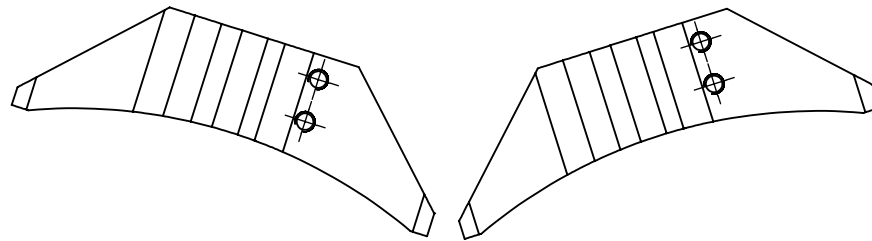
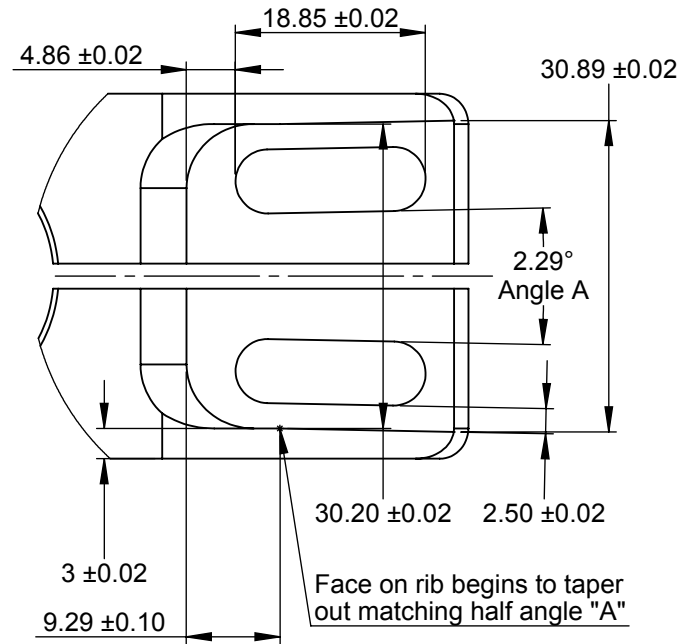
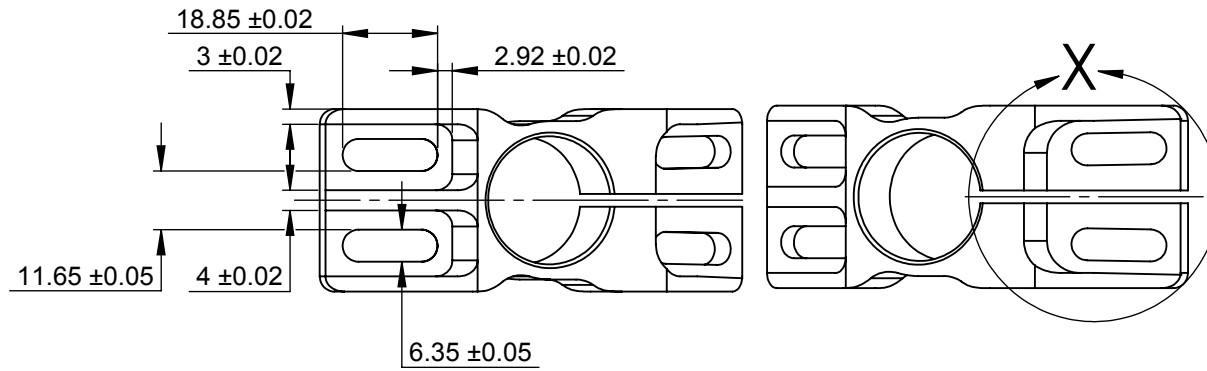
Material: <b>7075-T6 (SN)</b>	
Finish: <b>Anodized</b>	
Unless Otherwise Stated: Linear Tol.: $\pm 0.2$ , Angular Tol.: $0^{\circ}15'$ Surface Finish: $0.8\mu\text{m}$ All Dimensions: <b>mm</b>	
Drawing Scale: <b>2:3</b>	
Approx Weight: <b>66.87 g</b>	Drawing Produced In Accordance With: <b>BS8888</b>
Projection Method: <b>THIRD ANGLE</b> 	Sheet Size: <b>A4</b>

Description: <b>Seat Post to Saddle Adapter</b>	
Design created by:  Just Moo it Moocow Unicycles, David@moocowunicycles.com	This drawing and any information or descriptive material set out on it are completely open source, from Moocow Unicycles. Please continue supporting free and open technical information!

Description: <b>Seat Post to Saddle Adapter</b>		
Drawn by: <b>David</b>	Drawn Date: <b>2015-08-09</b>	
Checked/Approved by: <b>David</b>	Checked/Approved Date: <b>2015-10-07</b>	
Part Name: <b>Moocow-SaddleApter v4 - 25.4mm</b>		
Drawing Number: <b>SA-5</b>	Sheet: <b>2 of 4</b>	Revision: <b>B1</b>

1 2 3 4 5 6

DETAIL X  
SCALE 4 : 3



Material: <b>7075-T6 (SN)</b>		This drawing and any information or descriptive material set out on it are completely open source, from MooCOW Unicycles. Please continue supporting free and open technical information!	Description: <b>Seat Post to Saddle Adapter</b>	
Finish: <b>Anodized</b>			Drawn by: <b>David</b>	Drawn Date: <b>2015-08-09</b>
Unless Otherwise Stated: Linear Tol.: ±0.2, Angular Tol.: 0°15' Surface Finish: 0.8µm All Dimensions: mm		Checked/Approved by: <b>David</b>		Checked/Approved Date: <b>2015-10-07</b>
Drawing Scale: <b>2:3</b>		Part Name: <b>MooCOW-SaddleApter v4 - 25.4mm</b>		
Approx Weight: <b>66.87 g</b>	Drawing Produced In Accordance With: <b>BS8888</b>	Design created by: Just Moo it		Drawing Number: <b>SA-5</b>
Projection Method: <b>THIRD ANGLE</b>		Sheet Size: <b>A4</b>		
		MooCOW Unicycles, David@mooCOWunicycles.com		Sheet: <b>3 of 4</b>
				Revision: <b>B1</b>

A

B

C

D

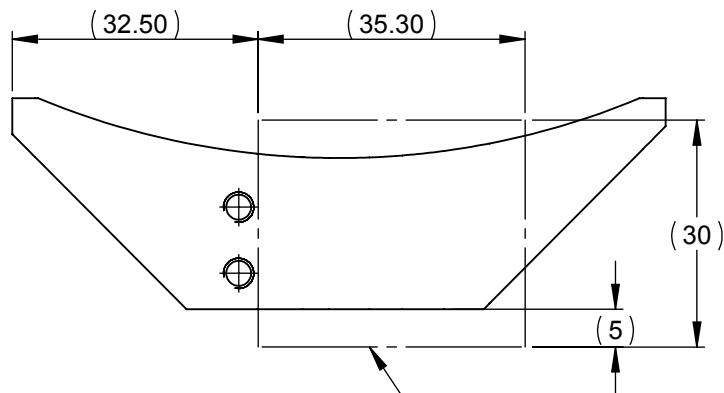
1 2 3 4 5 6

A

B

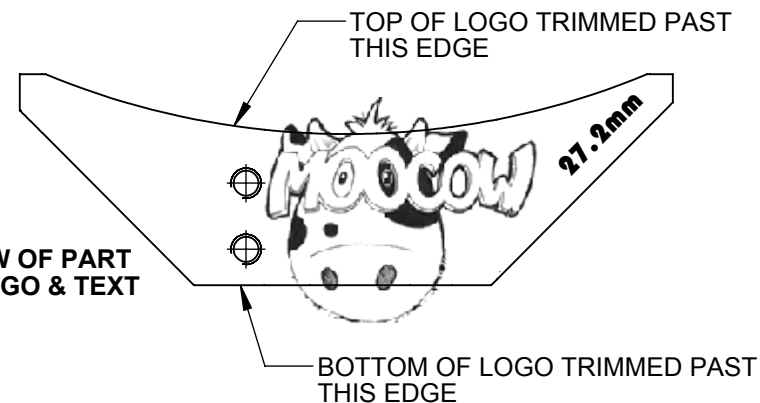
C

D



LOGO TO BE CENTERED WITHIN BOUNDING BOX

LOGO TO BE TANGENT TO EDGES OF BOUNDING BOX



PREVIEW OF PART WITH LOGO & TEXT

**DRAWING VIEW IN 1:1 SCALE AS SHOWN**

Material: <b>7075-T6 (SN)</b>		This drawing and any information or descriptive material set out on it are completely open source, from Moocow Unicycles. Please continue supporting free and open technical information!  Design created by:  Just Moo it  Moocow Unicycles, David@moocowunicycles.com	Description: <b>Seat Post to Saddle Adapter</b>		
Finish: <b>Anodized</b>			Drawn by: <b>David</b>	Drawn Date: <b>2015-08-09</b>	
Unless Otherwise Stated: Linear Tol.: $\pm 0.2$ , Angular Tol.: $0^\circ 15'$ Surface Finish: $0.8\mu\text{m}$ All Dimensions: <b>mm</b>			Checked/Approved by: <b>David</b>	Checked/Approved Date: <b>2015-10-07</b>	
Drawing Scale: <b>1:1</b>		Part Name: <b>Moocow-SaddleApter v4 - 25.4mm</b>			
Approx Weight: <b>66.87 g</b>	Drawing Produced In Accordance With: <b>BS8888</b>		Drawing Number: <b>SA-5</b>		
Projection Method: <b>THIRD ANGLE</b> 	Sheet Size: <b>A4</b>	Sheet: <b>4 of 4</b>			
		Revision: <b>B1</b>			