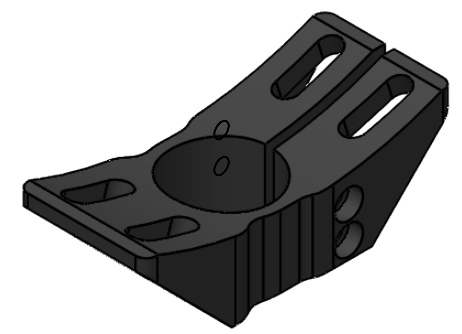
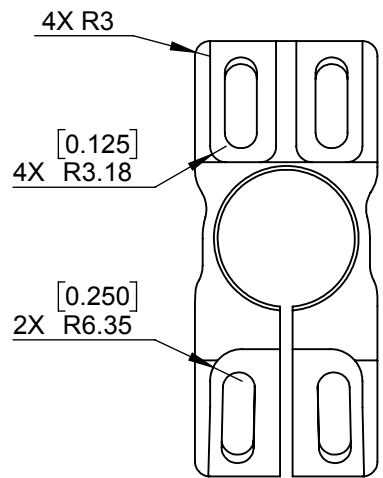
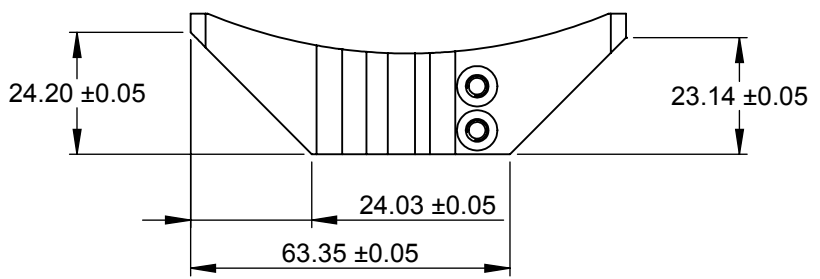
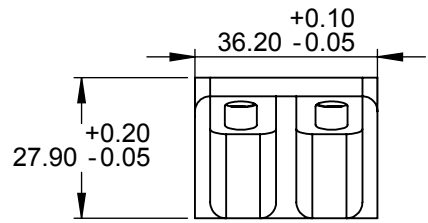
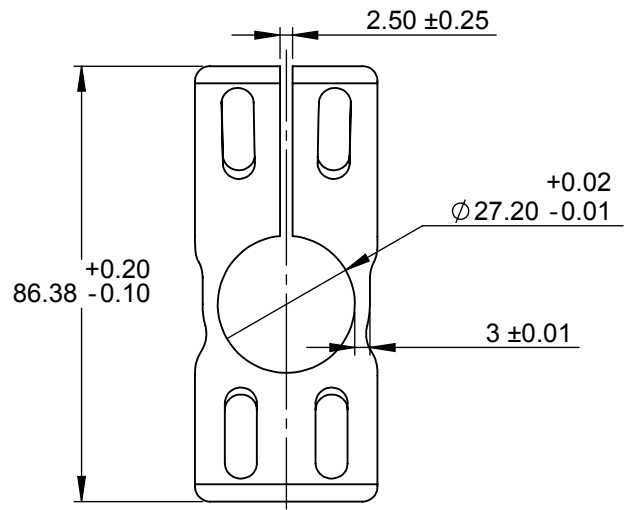
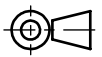


REVISIONS		
REV.	DESCRIPTION	DATE
A1	RELEASED FOR QUOTATION	2015-08-10
B1	UPDATED MODEL BASED ON PROTOTYPE	2015-10-20



UNLESS OTHERWISE STATED
DEBURR AND REMOVE ALL SHARP EDGES

Material: 7075-T6 (SN)	
Finish: Anodized	
Unless Otherwise Stated: Linear Tol.: ±0.2, Angular Tol.: 0°15' Surface Finish: 0.8µm All Dimensions: mm	
Drawing Scale: 2:3	
Approx Weight: 66.87 g	Drawing Produced In Accordance With: BS8888
Projection Method: THIRD ANGLE	Sheet Size: A4
	

This drawing and any information or descriptive material set out on it are completely open source, from Moocow Unicycles. Please continue supporting free and open technical information!

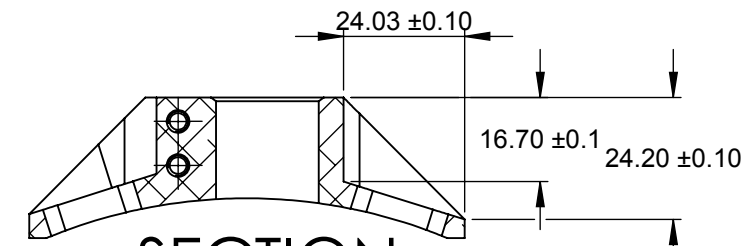
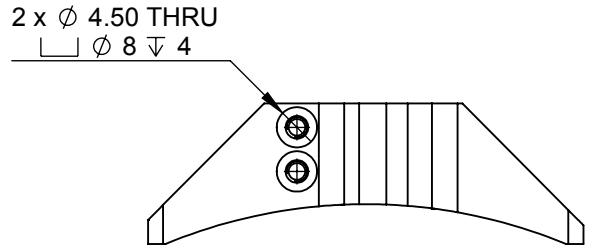
Design created by:
Just Moo it



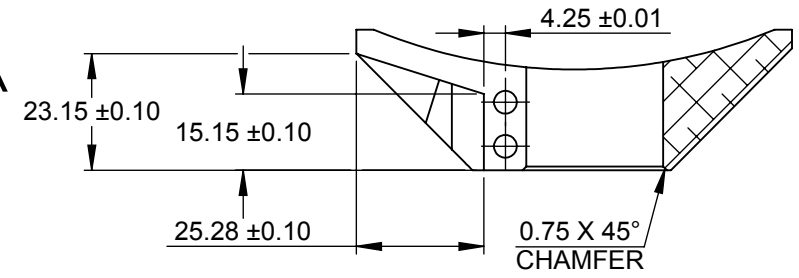
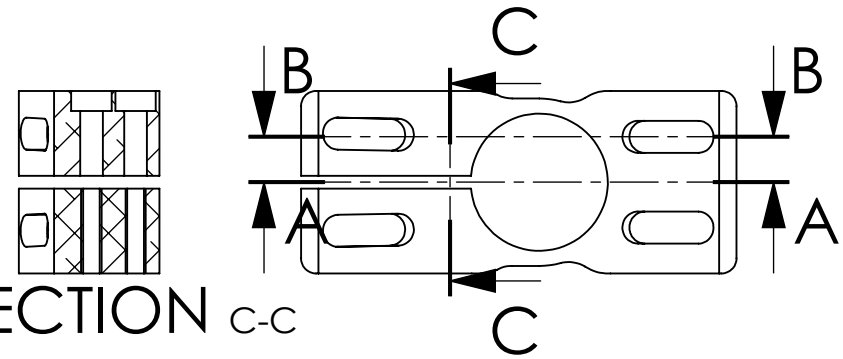
Moocow Unicycles,
David@moocowunicycles.com

Description: Seat Post to Saddle Adapter		
Drawn by: David	Drawn Date: 2015-08-09	
Checked/Approved by: David	Checked/Approved Date: 2015-10-07	
Part Name: Moocow-SaddleApter v4 - 27.2mm		
Drawing Number: SA-5	Sheet: 1 of 4	Revision: B1

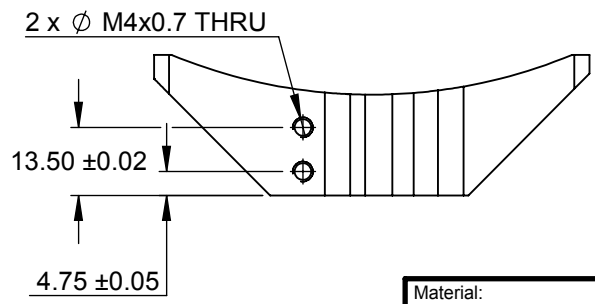
PART REVISION	
PART NAME	REVISION
Moocow-SaddleApter v4 - 27.2mm	B







SECTION B-B



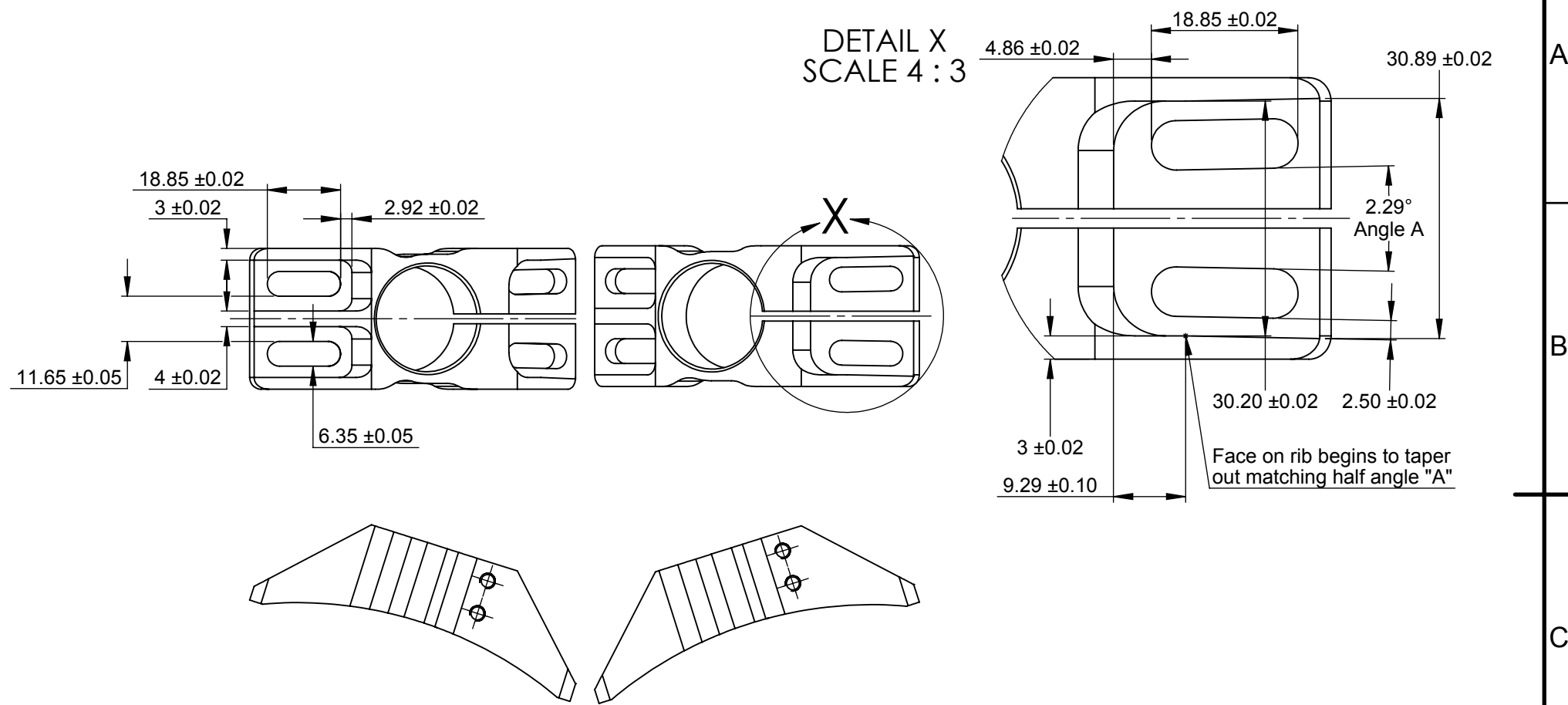
SECTION A-A

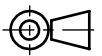


A
B
C

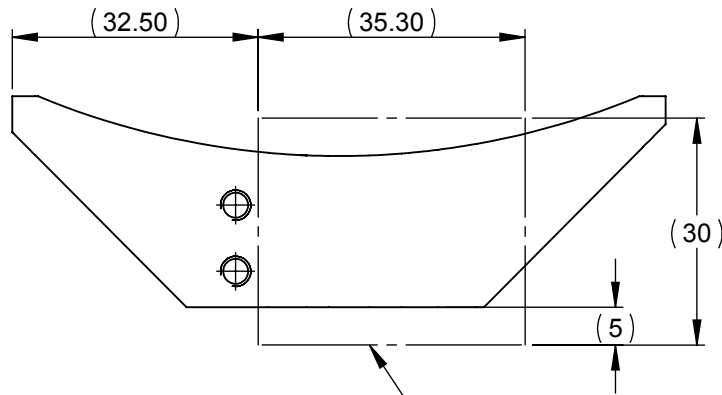
Material: 7075-T6 (SN)		Description: Seat Post to Saddle Adapter
Finish: Anodized		
Unless Otherwise Stated: Linear Tol.: ±0.2, Angular Tol.: 0°15' Surface Finish: 0.8µm All Dimensions: mm		
Drawing Scale: 2:3		Design created by: 
Approx Weight: 66.87 g	Drawing Produced In Accordance With: BS8888	Just Moo it
Projection Method: THIRD ANGLE 	Sheet Size: A4	MooCow Unicycles, David@mooCowunicycles.com
Material: 7075-T6 (SN)		Description: Seat Post to Saddle Adapter
Finish: Anodized		Drawn by: David
Unless Otherwise Stated: Linear Tol.: ±0.2, Angular Tol.: 0°15' Surface Finish: 0.8µm All Dimensions: mm		Drawn Date: 2015-08-09
Drawing Scale: 2:3		Checked/Approved by: David
Approx Weight: 66.87 g	Drawing Produced In Accordance With: BS8888	Checked/Approved Date: 2015-10-07
Projection Method: THIRD ANGLE 	Sheet Size: A4	Part Name: MooCow-SaddleApter v4 - 27.2mm
Material: 7075-T6 (SN)		Drawing Number: SA-5
Finish: Anodized		Sheet: 2 of 4
Unless Otherwise Stated: Linear Tol.: ±0.2, Angular Tol.: 0°15' Surface Finish: 0.8µm All Dimensions: mm		Revision: B1
Drawing Scale: 2:3		
Approx Weight: 66.87 g	Drawing Produced In Accordance With: BS8888	
Projection Method: THIRD ANGLE 	Sheet Size: A4	

D



Material: 7075-T6 (SN)		This drawing and any information or descriptive material set out on it are completely open source, from Moocow Unicycles. Please continue supporting free and open technical information!	Description: Seat Post to Saddle Adapter	
Finish: Anodized			Drawn by: David	Drawn Date: 2015-08-09
Unless Otherwise Stated: Linear Tol.: ± 0.2 , Angular Tol.: $0^{\circ}15'$ Surface Finish: $0.8\mu\text{m}$ All Dimensions: mm			Checked/Approved by: David	Checked/Approved Date: 2015-10-07
Drawing Scale: 2:3		Design created by: Just Moo it	Part Name: Moocow-SaddleApter v4 - 27.2mm	
Approx Weight: 66.87 g	Drawing Produced In Accordance With: BS8888	Moocow Unicycles, David@moocowunicycles.com	Drawing Number: SA-5	Sheet: 3 of 4
Projection Method: THIRD ANGLE 	Sheet Size: A4		Revision: B1	

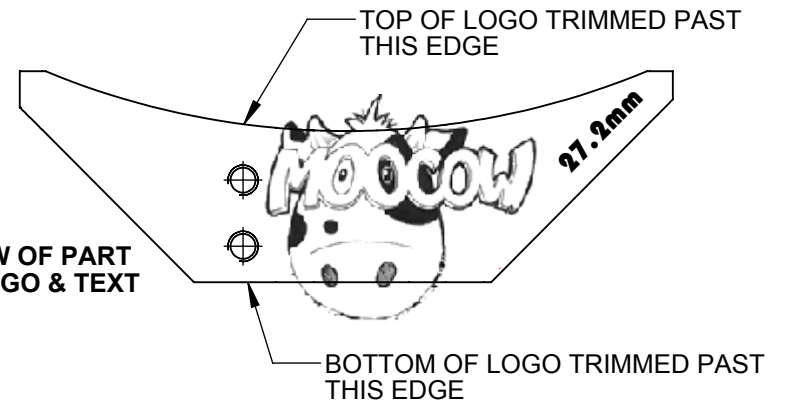
A
B
C
D




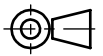
LOGO TO BE CENTERED WITHIN BOUNDING BOX

LOGO TO BE TANGENT TO EDGES OF BOUNDING BOX

PREVIEW OF PART WITH LOGO & TEXT



DRAWING VIEW IN 1:1 SCALE AS SHOWN

Material: 7075-T6 (SN)		This drawing and any information or descriptive material set out on it are completely open source, from Moocow Unicycles. Please continue supporting free and open technical information!	Description: Seat Post to Saddle Adapter		
Finish: Anodized			Drawn by: David	Drawn Date: 2015-08-09	
Unless Otherwise Stated: Linear Tol.: ± 0.2 , Angular Tol.: $0^{\circ}15'$ Surface Finish: $0.8\mu\text{m}$ All Dimensions: mm			Checked/Approved by: David	Checked/Approved Date: 2015-10-07	
Drawing Scale: 1:1		Design created by: 	Part Name: Moocow-SaddleApter v4 - 27.2mm		
Approx Weight: 66.87 g	Drawing Produced In Accordance With: BS8888		Just Moo it		
Projection Method: THIRD ANGLE 		Sheet Size: A4	Drawing Number: SA-5		Sheet: 4 of 4 Revision: B1
		Moocow Unicycles, David@moocowunicycles.com			